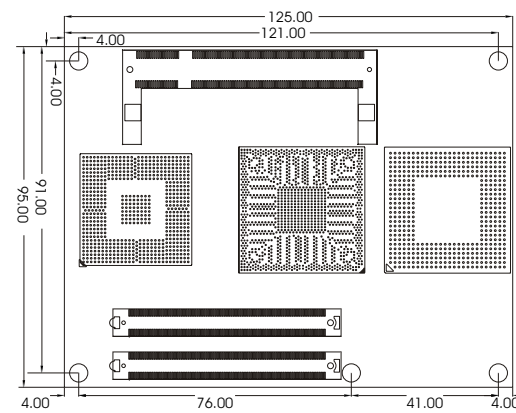
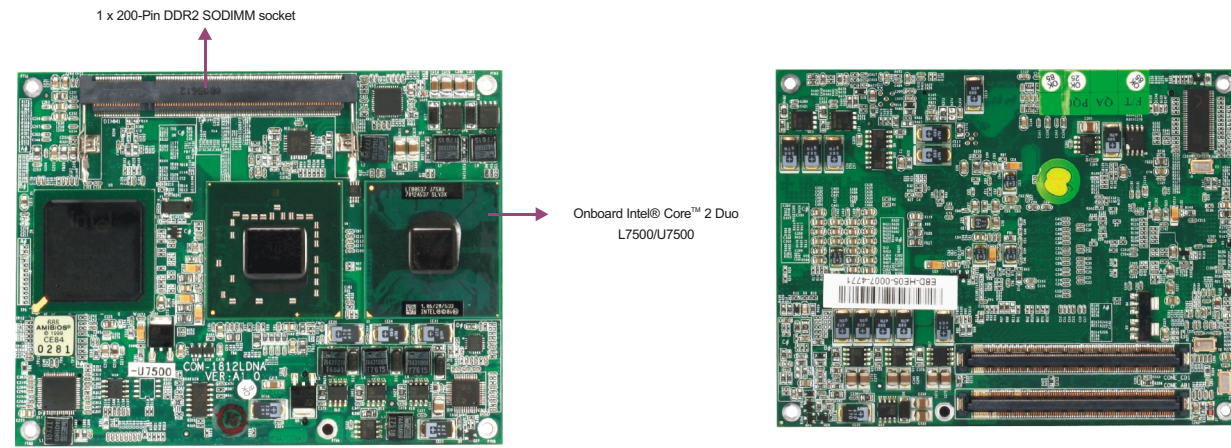


COM-1812LDNA

COM-Express Dual-Core SBC with VGA/TV/LVDS/2LAN



Features

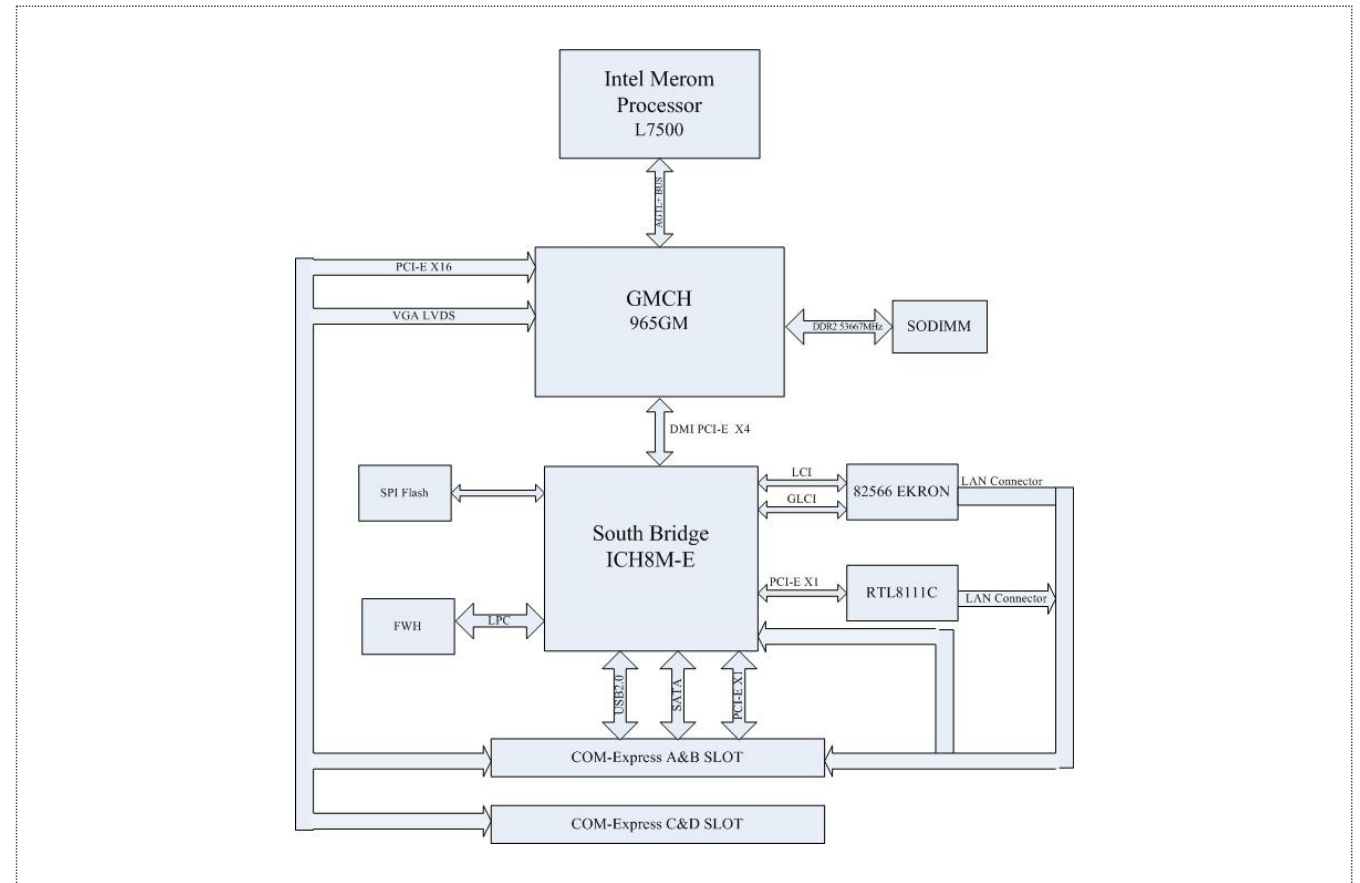
- Intel® Core™ 2 Duo L7500/U7500 low-power processor
- Intel® GM965 + ICH8M-E
- One SO-DIMM memory slot, supporting DDR2 533/667MHz memory up to 2GB
- Integrates GMA X3100 graphics controller, supporting VGA, LVDS and TV-OUT
- PICMG COM Express R1.0 Type III

Specifications

System	
Product Type	PICMG COM-Express R1.0 Type III
Processor	Intel® Core™ 2 Duo L7500/U7500 low-power processor
Chipset	Intel® GM965 + ICH8M-E
Memory	1 x 200-pin SODIMM socket, DDR2 533/667 MHz up to 2GB
Hardware Monitor	Monitors the system voltage, temperature, fan speed, etc
Watchdog Timer	N/A
Expansion Interface	Via EDB-COM02
Storage	
IDE	N/A
Serial ATA	3 x SATA
Floppy	N/A
I/O Interface	
USB	6 x USB2.0
Serial Port	N/A
Parallel Port	N/A
IrDA	N/A
GPIO	N/A
Audio	Integrates HD-Audio, supporting Mic-in/Line-in/Speaker-out

Display	
Display Controller	Integrates GMA X3100 graphics controller, supporting VGA, LVDS and TV-OUT
Ethernet	
Ethernet Controller	2 x GbE (carrier board)
Speed	10/100/1000Mbps
Connector	N/A
Mechanical and Environmental	
Dimensions	125mm x 95mm
Operating Temperature	0 C~60 C
Storage Temperature	N/A
Operating Humidity	5%~90%, non-condensing
Power	
Power Supply	Supports +5V, +12V power (via carrier board)
Power Consumption	N/A
Operating System	
Windows OS	Windows 2000/ Windows XP
Embedded OS	Linux/Windows CE/XP Embedded
Carrier Board(Optional)	
Model	EDB-COM02
Expansion Bus	1 x PCI-E x16, 2 x PCI-E x1, 4 x PCI
Network	2 x RJ45 interface
Storage	3 x SATA II(RAID 0/1), 1 x CompactFlash socket(non-bootable)
I/O Interface	1 x Parallel port, 2 x RS-232, 2 x RS-232/422/485 serial port; 1 x PS/2, audio, 6 x USB 2.0, 8-bit GPIO
Operating Temperature	0 C~60 C

Board Diagram



Available Accessories

Part Number	Name	Description	Qty.
—	Driver CD/Protective film/RoHS	COM-1812LDNA	1
2342-001261	Thermal plate/RoHS	125.00x95.00x8.30/black anode	1
2391-005611	Bolt/RoHS	Pan head M2.5x12/GB-T818-1985/nickel plating	5
—	Setup Guide/RoHS	AMI/BIOS Setup Guide (for CORE8)	1
—	User's Manual/RoHS	COM-1812LDNA	1
2421-000691	Thermal pad 2/RoHS	15x15x1.5/579	1
2421-001271	Thermal pad/RoHS	15x15x1.0/G579	2
2421-001421	Thermal grease/RoHS	T670/10g	1
2421-001871	Thermal pad/RoHS	35x7x2.5/G579	3
2421-001881	Thermal pad/RoHS	20x5x3.0/G579	2

Ordering Information

Part Number	Model Number	Description
0030-003330	COM-1812LDNA	Motherboard
0030-003340	COM-1812LDNA/U7500	Motherboard/U7500
0030-007690	COM-1812LDNA/Conformal coating	Motherboard/Conformal coating
—	EDB-COM02	Backplane