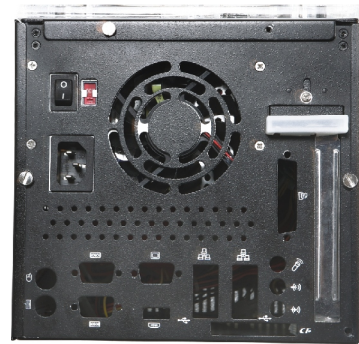
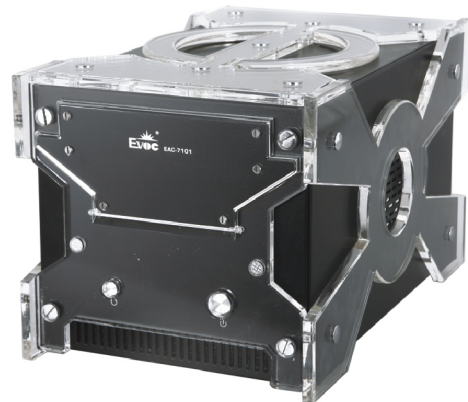


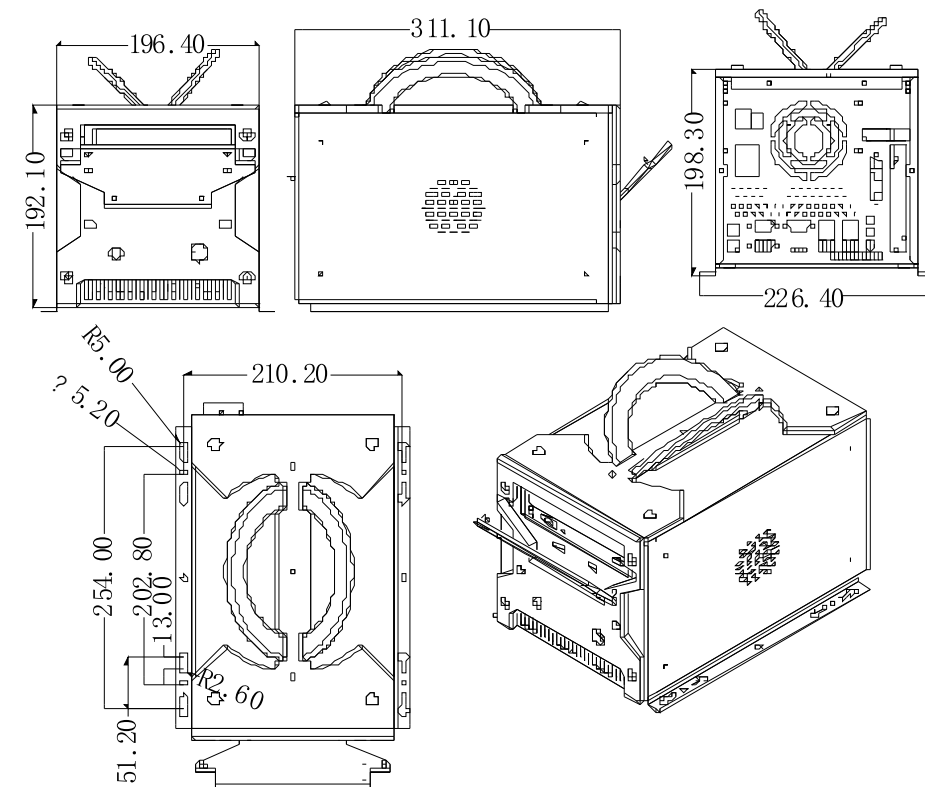
EAC-7101

Mini-ITX Embedded Box PC

NEW



Dimensions



Features

- Compact alloy chassis and stylish plexiglas cover
- Mini-ITX motherboard
- AMD S1 Mobile Sempron™ and Turion™ X2 Dual-core processor
- Multiple I/O expansion design



Specifications

System	
SBC Model	EC7-1842LD2NA
Processor	AMD S1 Mobile Sempron™ and Turion™ X2 Dual-core processor
Chipset	AMD M690E + SB600 chipset
Memory	2 x 240-pin DIMM DDR2 533 / 667 / 800MHz slots, memory up to 4GB
Expansion Interface	1 x 3.5" HDD bay, 1 x 5.25" CD-ROM bay, 1 x PCI slot

I/O Interface	
USB	4 x USB 2.0
Serial Port	2 x RS-232
Parallel Port	1 x LPT
KB/MS	1 x PS/2 KB, 1 x PS/2 MS
GPIO	4-bit digital input and 4-bit digital output, TTL voltage
Audio	HD Audio, ALC888 chipset, supports Speaker-out / Mic-in / Line-in

Mechanical and Environmental

Dimensions	182mm(H) x 196mm(W) x 302mm(D)
Weight	~ 2.5Kg
Reliability	MTBF ≥ 50000h; MTTR ≤ 0.5h
Operating Temperature	0°C~50°C
Storage Temperature	-40°C~60°C
Operating Humidity	5%~95%, 40°C Non-condensing

Operating System

Windows OS	Windows 2000 / Windows XP
Embedded OS	Linux / XP Embedded / WinCE

Storage	
IDE	1 x ATA-133/100 IDE; supports two IDE devices
Serial ATA	4 x SATAII; supports RAID 0/1/10
CF	1 x CompactFlash Socket Type I/II

Display	
Chipset	Integrated X1250 graphic controller
Memory	128M independent graphics memory
Resolution	VGA mode up to 2048 x 1536@75Hz
Dual Display	Supports VGA, HDMI, and VGA+HDMI dual display

Ethernet	
Chipset	2 x Realtek RTL8111C Ethernet controller
Speed	10/100/1000Mbps
Connector	2 x RJ45

Power	
Power Supply	ATX power supply
Power Consumption	N/A

Test	
Vibration	5-19Hz/1.2mm; 19-200Hz/1.2g
Shock	15g, 11ms
EMC/EMI	GB9254-1998 Grade A GB/T 17618-1998
Certification	CE, RoHS

Ordering Information

Part Number	Model Number	Description
0020-035000	EAC-7101/ENP-2222F/EC7-1842LD2NA/with decoration board	Chassis
0020-035010	EAC-7101/ENP-2222F/EC7-1842LD2NA/without decoration board	Chassis