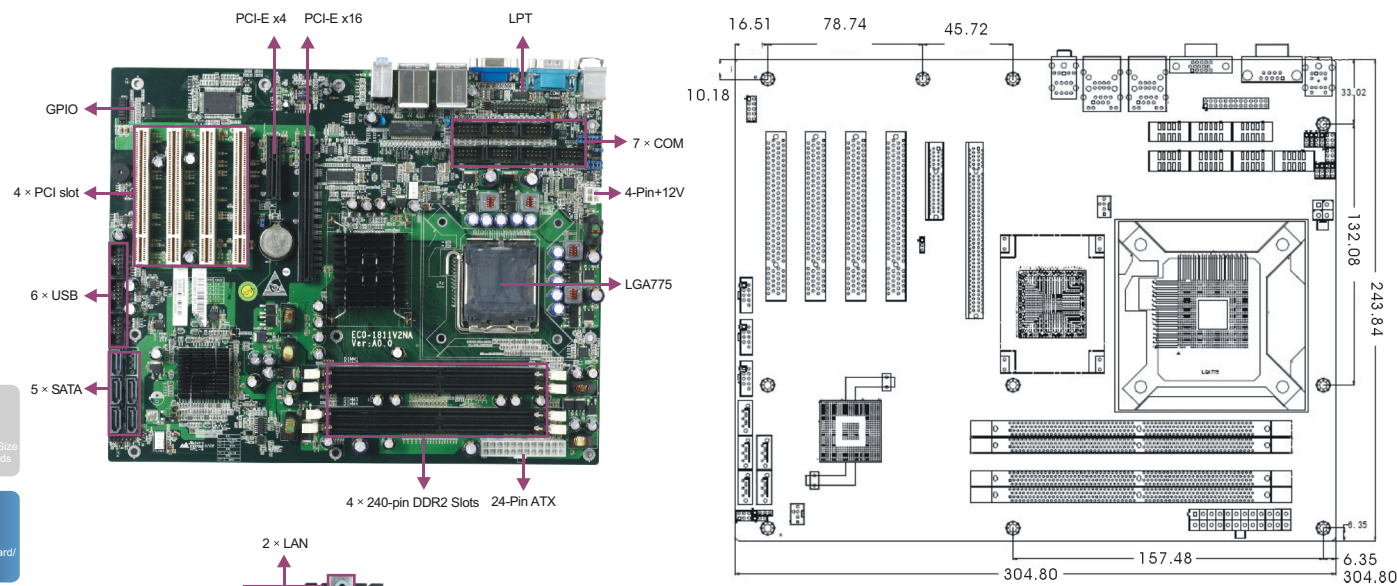


# EC0-1811V2NA



ATX SBC with PCI-E x16/ 4PCI/ 10USB/8COM/ VGA/2LAN/Audio



## Features

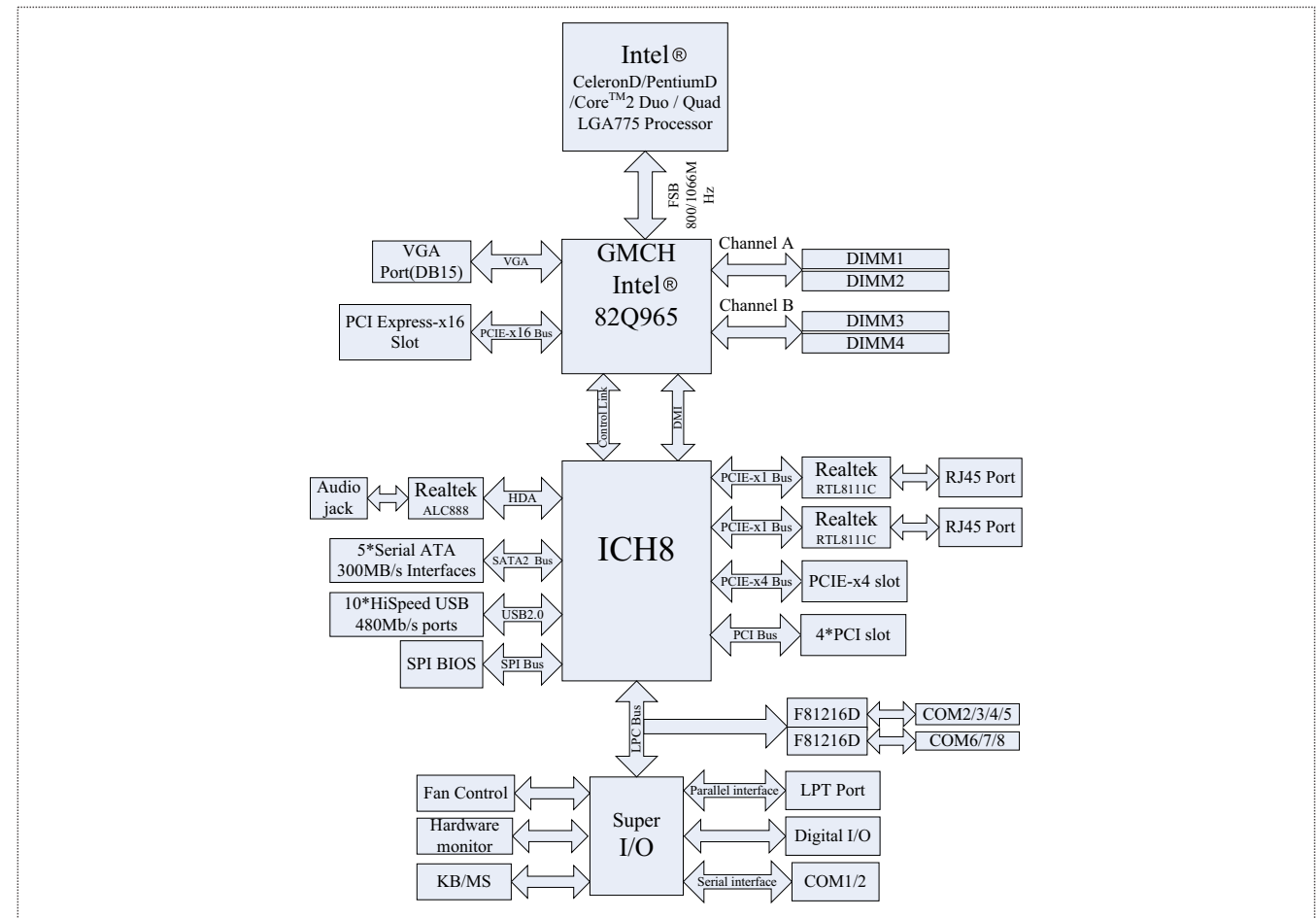
- Supports Intel® LGA775 Core™2 Duo / Quad Processor
- Supports 4 x 240-pin DIMM, dual-channel memory, up to 8GB
- Supports 2 x 10/100/1000M Ethernet interface
- Intel® Q965 chipset integrates graphics processing core
- Supports 10 x USB2.0, 8 x COM, 5 x SATA, 1 x LPT, 1 x KB/MS

## Specifications

System	
Processor	Supports Intel® Celeron® D/ Pentium® 4/Pentium® D/Core™2 Duo / Quad LGA775 Processor, with 533/800/1066MHz FSB, such as Q6600, E6400, E4300, E2140 and etc.
Chipset	Intel® Q965 +ICH8R
Memory	Supports 4 x 240-Pin DIMMs, supporting dual-channel DDR2 533/667/800 memory, up to 8GB
Hardware Monitor	Monitors CPU temperature, voltage and watchdog timer, etc.
Watchdog Timer	1~255 sec./min. timer system reset or interrupt, setup by software
Expansion Interface	1 x PCI-Express x16, 1 x PCI-Express x4, 4 x PCI
Storage	
Serial ATA	5 x Serial ATA 300MB/s interface, supporting Intel® Matrix Raid 0, Raid 1, Raid 5, Raid 1+0
I/O Interface	
USB	10 x USB2.0 port, available interfaces of 4 x USB port and 3 x 9-pin header onboard
Serial Port	8 x RS-232 (2 x RS-232/422/485/COM2,COM3), 6 x RS-232), available interfaces of 1 x 9-Pin DB port and 7 x 10-pin header onboard, and COM1 supporting WOR(wake on Ring)
Parallel Port	1 x LPT, available interface of 26-Pin header onboard
GPIO	4 x GPI, 4 x GPO
Audio	Onboard ALC888. Supports HD Audio, available interfaces of Speaker-out, Line-in and Mic-in

Display	
Chipset	Q965 chipset integrates GMA3000
Memory	256MB shared memory
Resolution	VGA mode up to 2048 x 1536@75Hz
Display	VGA
Ethernet	
Chipset	Realtek RTL8111C. Supports wake-On-LAN
Speed	10/100/1000Mbps
Connector	2 x RJ 45
Mechanical and Environmental	
Dimensions	304.8mm x 243.84mm
Operating Temperature	0°C~60°C
Storage Temperature	-20°C~70°C
Operating Humidity	5%-90%, non-condensing
Power	
Power Supply	Supports 1 x 24-Pin, 1 x 4-Pin ATX power supply connector
Power Consumption	Typical consumption:87W (Intel Q6600 2.4G, DDR2 800 4x2GB)
Operating System	
Windows OS	Windows 2000/ Windows XP
Embedded OS	Linux/XP Embedded

## Board Diagram



## Available Accessories

Part Number	Name	Description	Qty
2360-002621	Serial port cable /RoHS	IDC 2 x 5(2.54) to DB9 /L=250	7
2412-000331	Setup Guide /RoHS	AMI/BIOS Setup Guide (for CORE8)/VER:A1	1
1464-007391	I/O bracket/RoHS	163.1 x 49 x 0.25/ punching/EC0-1811V2NA	1
2360-018011	SATA flat cable/RoHS	SATA-7P(female)L=300mm	5
2360-013311	LPT cable/RoHS	IDC2 x13(female) to DB25(female)	1
2360-002571	USB cable/B4/RoHS	2 x 5Pin(female) to 2 x USB Port	3
2192-005561	Driver CD/Protective film /RoHS	EC0-1811V2NA/VER:A1	1

## Ordering Information

Part Number	Model Number	Description
0030-009400	EC0-1811V2NA	Motherboard
0030-009401	EC0-1811V2NA	Motherboard/RoHS