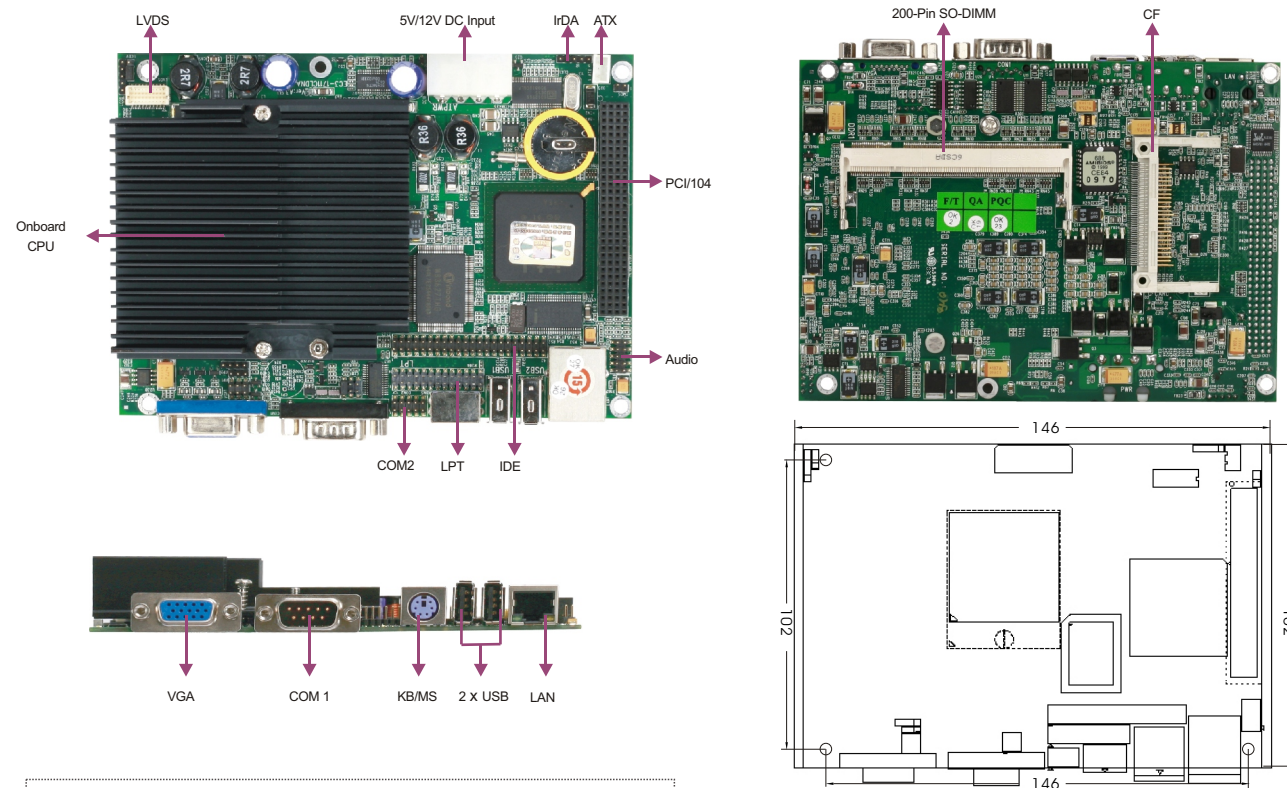


EC3-1711CLDNA

3.5" Single Board with Onboard Celeron® M processor/LVDS/VAG/CF/LAN/Audio



Features

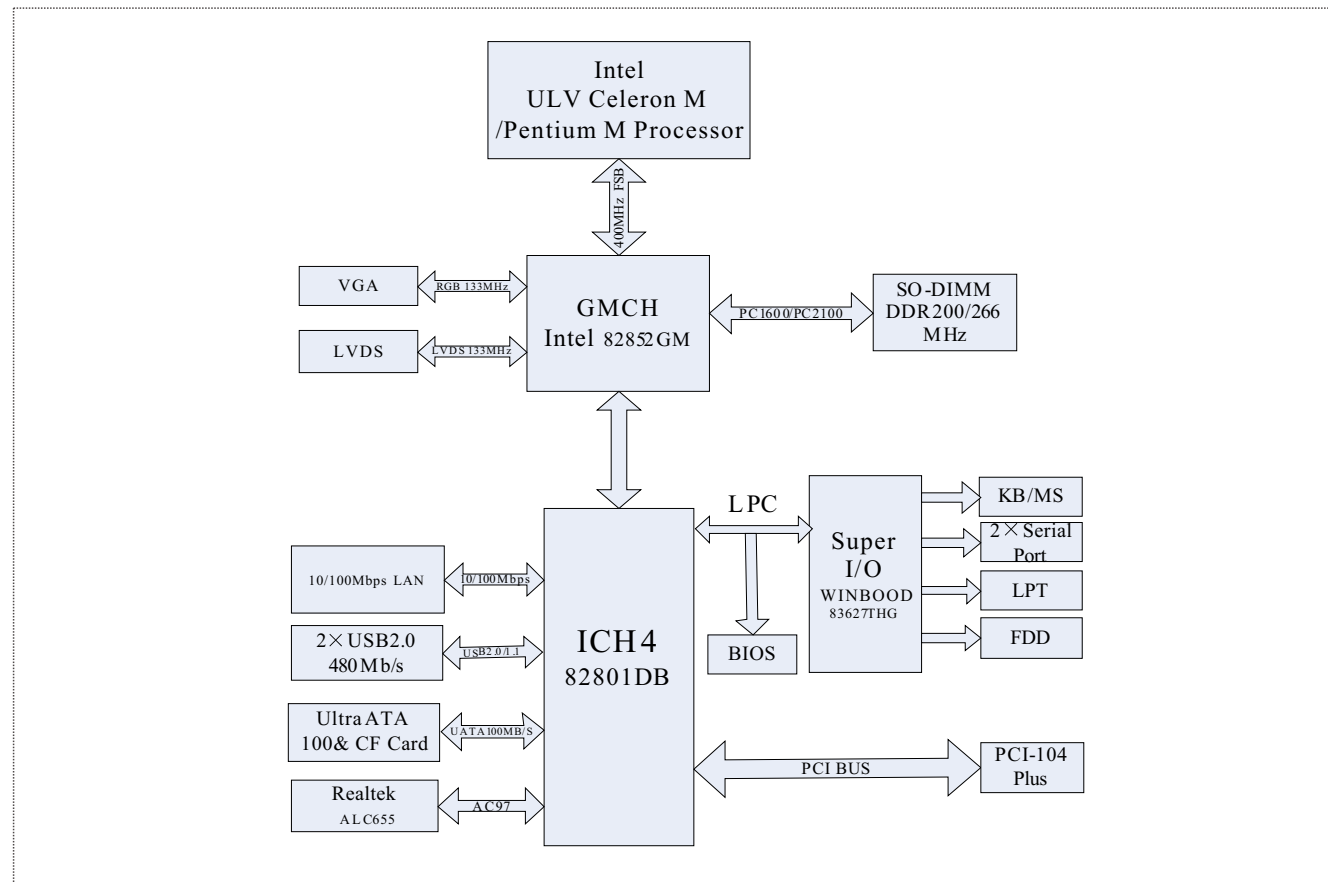
- 3.5" P4 Series SBC with PC/104-Plus expansion bus
- Onboard Intel® ULV Celeron® M, Pentium® M CPU
- Supports VGA+LVDS dual display
- Supports 10/100Mbps Ethernet controller
- Supports 2 x USB2.0, 2 x COM, 1 x IDE, 1 x LPT, 1 x VGA, 1 x LVDS, 1 x IrDA

Specifications

System	
Processor	Onboard Intel® ULV Celeron® M, Pentium® M CPU. Supports 400MHz FSB, fanless design
Chipset	Intel 852GM+ICH4(82801DB)
Memory	1 x 200-pin SO-DIMM slot, supporting up to 1GB DDR 200/266 memory
Hardware Monitor	Monitors CPU temperature, voltage and watchdog timer, etc.
Watchdog Timer	1~255 sec./min. timer system reset/interrupt, setup by software
Expansion Interface	1 x PCI-104
Storage	
IDE	1 x Ultra ATA66/100 IDE interface
Serial ATA	N/A
Floppy	N/A
CF	1 x CompactFlash Socket Type I/II
DOC/DOM	N/A
I/O Interface	
USB	2 x USB2.0 port
Serial Port	1 x RS-232/422/485, 1 x RS-232, available interfaces of 1 x DB9 and 5 x 10-pin header onboard
Parallel Port	1 x LPT
IrDA	SIR 115 kbps, IrDA 1.1 compliant
GPIO	N/A
Audio	AC'97, onboard Realtek ALC655, available interfaces of Speaker-out, Line-in and Mic-in

Display	
Chipset	Intel® 852GM integrated graphics acceleration controller
Memory	Supports shared memory for video, up to 64MB
Resolution	VGA mode up to 2048 x 1536@75Hz or 1600 x 1200@85Hz LVDS mode up to 1600 x 1200@18bit
Dual Display	Supports CRT+LVDS independent dual display
Ethernet	
Chipset	Intel® EP82562ET
Speed	10/100Mbps
Connector	1 x RJ 45
Mechanical and Environmental	
Dimensions	146mm x 102mm
Operating Temperature	-15°C~60°C
Storage Temperature	-25°C~75°C
Operating Humidity	5%-90%, non-condensing
Power	
Power Supply	Supports +5V/12V AT/ATX power supply
Power Consumption	Typical 10W (Celeron-M 600MHz CPU, 1GB memory)
Operating System	
Windows OS	Windows 98SE/Windows 2000/Windows XP
Embedded OS	Linux/XP Embedded/WinCE

Board Diagram



Available Accessories

Part Number	Name	Description	Qty.
	Driver CD/Protective film/RoHS	EC3-1711CLDNA	1
2330-000011	Jumper/RoHS	2.0mm pitch	4
2360-005031	Y-cable for keyboard and mouse/RoHS	One Mini-DIN port to two PS/2 ports, length: 250mm/RoHS	1
2360-008781	HDD cable/RoHS	40 Pin to 44 Pin (2.0mm pitch), length: 550mm/RoHS	1
2360-011211	Audio cable with bracket/RoHS	Three audio jacks to one 2x5 Pin connector (2.0mm pitch), length: 300mm/RoHS	1
2360-011221	Parallel port cable/RoHS	DB25 connector to 2x13 Pin connector (2.0mm pitch), length: 300mm/RoHS	1
2360-011231	Serial port cable/RoHS	DB9 connector to 2x5 Pin connector (2.0mm pitch), length: 300mm/RoHS	1

Related Product

Item	Typical Recommendation
PC/104 Expansion Card	104-P8COM, 104-VGAEL, 104-4LAN
Power Supply	AT or ATX

Ordering Information

Part Number	Model Number	Description
0030-006271	EC3-1711CLDNA	Motherboard/RoHS
0030-006270	EC3-1711CLDNA	Motherboard
0030-007140	EC3-1711CLDNA-1G/Conformal coating	Motherboard/Celeron-M 1G/Conformal coating
0030-006280	EC3-1711CLDNA/800M	Motherboard/Celeron-M 800M
0030-007121	EC3-1711CLDNA-800M/Conformal coating	Motherboard/Celeron-M 800M/RoHS/Conformal coating
0030-007110	EC3-1711CLDNA/Conformal coating	Motherboard/Conformal coating
0030-010591	EC3-1711CLDNA/TA/Conformal coating	Motherboard/RoHS/TA/Conformal coating
0030-002310	EC3-1711CLDNA/PM1.8G/no cooler	Motherboard/Pentium-M 1.8G/no cooler
0030-002280	EC3-1711CLDNA/AT	Motherboard/AT/Celeron-M 600M 512K/