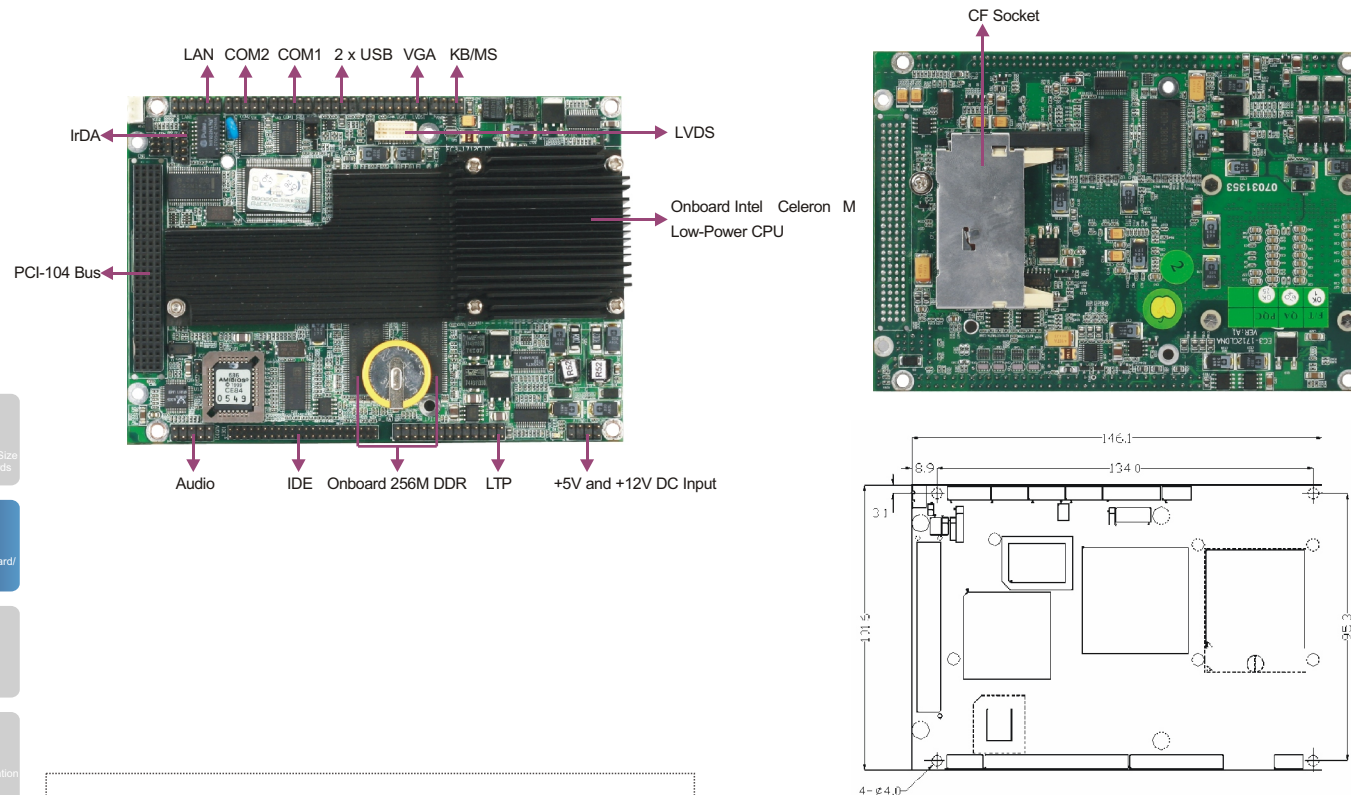


EC3-1712CLDNA

3.5" SBC with CPU and LCD/VGA/SSD/LAN



Features

- Onboard Intel® ULV Celeron® M 600MHz CPU
- Onboard 256MB DDR memory
- Supports VGA+18/24-bit TFT LVDS dual display
- PCI-104 bus expansion bus

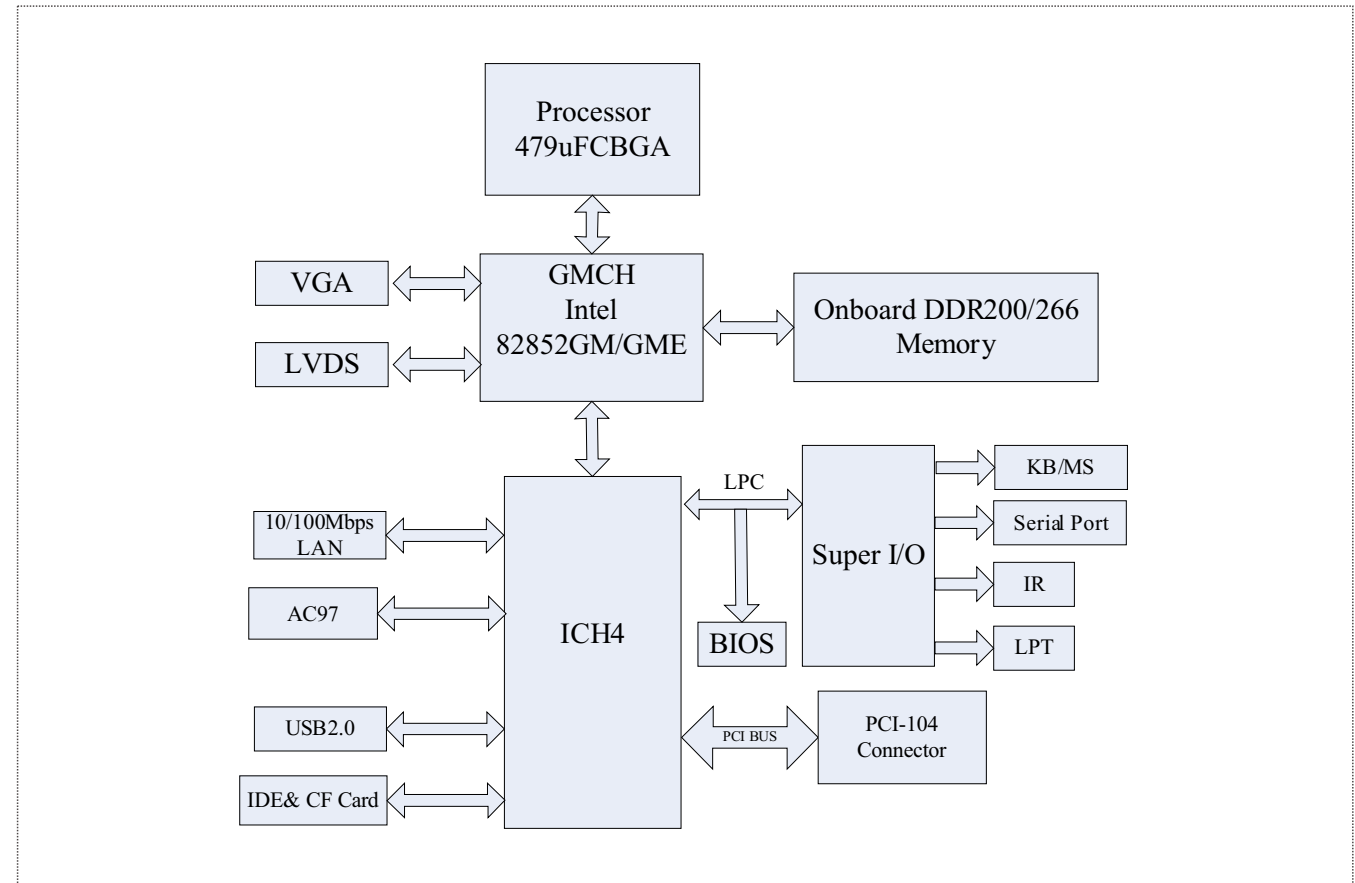


Specifications

System	
Processor	Onboard Intel® ULV Celeron® M 600MHz CPU
Chipset	Intel® 852GM + ICH4
Memory	Onboard 256MB DDR DRAM
Hardware Monitor	Monitors CPU temperature, voltage and fan speed
Watchdog Timer	1~255 sec./min. timer system reset or interrupt, setup by software
Expansion Interface	PCI-104 bus
Storage	
IDE	1 x 44-pin ATA 100 port, supporting 2 x IDE device
Serial ATA	N/A
Floppy	N/A
CompactFlash	1 x CompactFlash socket
DOC/DOM	N/A
I/O Interface	
USB	2 x USB2.0
Serial Port	1 x RS-232, 1 x RS232/RS422/RS485
Parallel Port	1 x LPT
IrDA	1 x IrDA
GPIO	N/A
Audio	AC'97 Audio

Display	
Display Controller	Integrated in system chip Intel® 852GM
Display Memory	64MB shared memory
Resolution	N/A
Dual Display	Supports VGA+LVDS dual display
Ethernet	
Ethernet Controller	Intel® IEP82562ET Ethernet controller
Speed	10/100Mbps
Connector Interface	1 x RJ45
Mechanical and Environmental	
Dimensions	146mm x 102mm
Operating Temperature	-40°C~75°C
Storage Temperature	-40°C~85°C
Operating Humidity	5%-90%, non-condensing
Power	
Power Supply	+5V and +12V AT power supply or ATX power supply
Power Consumption	Typical 10W (Celeron®-M 600MHz CPU, 256MB memory)
Operating System	
Windows OS	Windows 98SE/Windows2000/Windows XP
Embedded OS	Linux/XP Embedded

Board Diagram



Available Accessories

Part Number	Name	Description	Qty.
—	Driver CD/Protective film/RoHS	EC3-1712CLDNA	1
2330-000011	Jumper/RoHS	2.0mm pitch	2
2360-002571	Dual USB ports with bracket/B4/RoHS	Two USB ports to one 2x5 Pin, length: 210mm/RoHS	1
2360-008351	Serial port cable/RoHS	DB9 connector to 2x5 Pinconnector (2.54mm pitch), length: 300mm/RoHS	2
2360-008361	Parallel port cable/RoHS	DB25 connector to 2x13 Pin connector (2.54mm pitch), length: 300mm/RoHS	1
2360-008781	HDD cable/RoHS	40 Pin to 44 Pin (2.0mm pitch), length: 550mm/RoHS	1
2360-009091	HDD flat cable/RoHS	44 Pin (2.0) HDD cable, length: 400	1
2360-014821	Power cable/RoHS	One 4 Pin power connector to one big 4 Pin and one small 4 Pin (2.54mm pitch) power, length: 150mm/RoHS	1
2360-014831	VGA cable/RoHS	DB15 connector to 2x8 Pin connector, length: 80mm/RoHS	1
2360-014841	Y-cable for keyboard and mouse/RoHS	PS/2 connector to 2x4 Pin, length: 280mm/RoHS	1
2360-010541	Audio cable/RoHS	Three audio jacks (2.54mm pitch) to one 2x5 Pin, length: 300mm/RoHS	1
2360-014861	LAN cable/RoHS	RJ45 socket to 2x4 Pin connector, length: 300/EC3-1712CLDNA	1
2360-014871	Converter cable/RoHS	2x6 Pin (2.0mm pitch) connector to 2x6 Pin (2.54mm pitch) connector, length: 300	1
—	Setup Guide/RoHS	AMI/BIOS Setup Guide (for CORE8)	1
—	User's Manual/RoHS	EC3-1712CLDNA	1

Ordering Information

Part Number	Model Number	Description
0030-006301	EC3-1712CLDNA	Motherboard/RoHS
0030-006300	EC3-1712CLDNA	Motherboard
0030-006311	EC3-1712CLDNA/CM-1G	Motherboard/Celeron® M 1G/RoHS/
0030-008171	EC3-1712CLDNA/CM-1G/Conformal coating	Motherboard/Celeron® M 1G/RoHS/Conformal coating
0030-010601	EC3-1712CLDNA/TB/Conformal coating	Motherboard/RoHS/TB/Conformal coating
0030-007160	EC3-1712CLDNA/Conformal coating	Motherboard/Conformal coating
0030-007161	EC3-1712CLDNA/Conformal coating	Motherboard/RoHS/Conformal coating