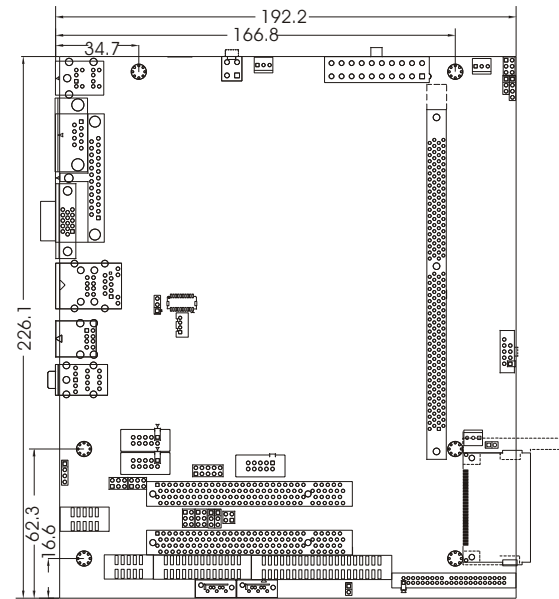
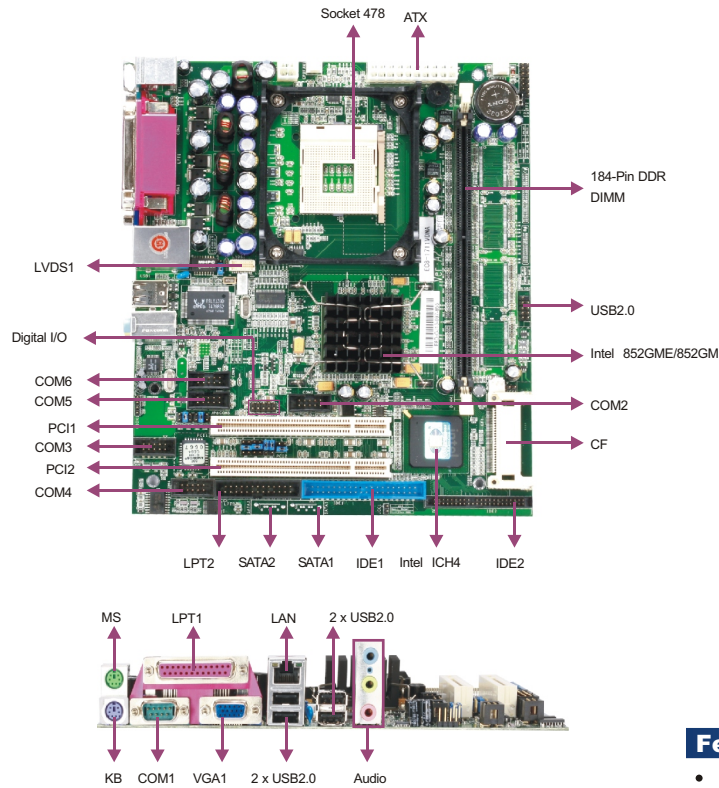


EC8-1711CLDNA

8" SBC with Socket 478 CPU/VGA/LVDS/LAN/Audio



Features

- Supports Intel® Celeron® D and Pentium® 4 series CPU
- Supports 1x 184-pin DIMM or onboard 256MB/512MB memory
- Supports 1 x 10/100M Ethernet interface
- Supports VGA and LVDS display
- Supports 6 x USB2.0, 6 x COM, 2 x IDE, 1 x CF, 2 x LPT, 1 x Audio, 1 x GPIO, 1 x KB, 1 x MS
- Supports 2 x PCI expansion slot

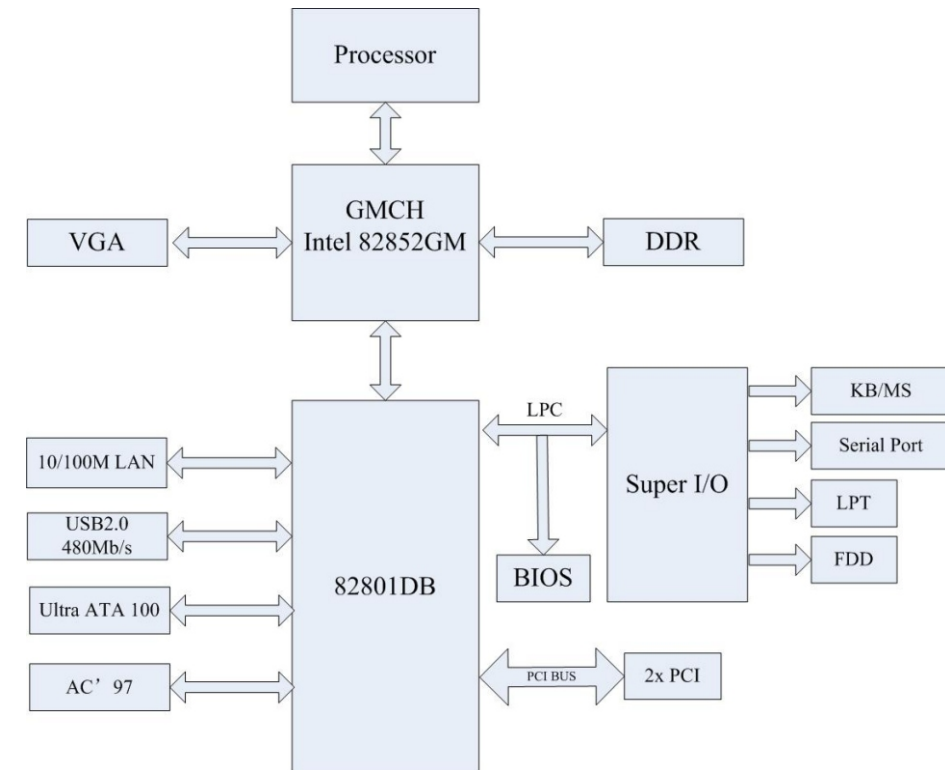


Specifications

| System | |
|---------------------|--|
| Processor | Supports socket 478 Intel® Celeron D, Pentium 4 series CPU Onboard Celeron® M 1.2GHz CPU (optional) |
| Chipset | Intel® 852GM + ICH4 |
| Memory | Supports 1 x 184-pin DIMM, optional onboard 256MB/512MB memory, up to 1.5GB DDR 200/266 memory |
| Hardware Monitor | Monitors CPU temperature, voltage and watchdog timer |
| Watchdog Timer | 1~255 sec./min. timer system reset or interrupt, setup by software |
| Expansion Interface | 2 x PCI |
| Storage | |
| IDE | 1 x 40-pin Ultra ATA100/66/33 interface, 1 x 44-pin Ultra ATA100/66/33 interface |
| Serial ATA | 2 x Serial ATA interface (optional) |
| CF | 1 x CompactFlash Socket Type I/II |
| DOC/DOM | N/A |
| I/O Interface | |
| USB | 6 x USB2.0 port, available interfaces of 4 x USB port and 1 x 9-pin header onboard |
| Serial Port | 5 x RS-232, 1 x RS-232/485(COM4), available interfaces of 1 x DB9 and 5 x 10-pin header onboard |
| Parallel Port | 2 x LPT, available interfaces of 1 x DB25 and 1 x 26-pin header onboard |
| IrDA | N/A |
| Audio | Supports AC'97, available interfaces of Speaker-out, Line-in and Mic-in |
| Digital I/O | 4 x GPI, 2 x GPO |

| Display | |
|------------------------------|--|
| Chipset | Intel® 852GME chipset integrated |
| Memory | 64MB shared memory |
| Resolution | VGA mode up to 1920 x 1400@60Hz or 1600 x 1200@85Hz LVDS mode up to 1600 x 1200@18bit |
| Dual Display | Supports VGA+LVDS independent dual display |
| Ethernet | |
| Chipset | Realtek RTL8139D |
| Speed | 10/100Mbps |
| Connector | 1 x RJ45 |
| Mechanical and Environmental | |
| Dimensions | 226.1mm x 192.2mm |
| Operating Temperature | -15°C~60°C |
| Storage Temperature | -40°C~80°C |
| Operating Humidity | 5%-95%, non-condensing |
| Power | |
| Power Supply | Supports ATX power supply |
| Power Consumption | N/A |
| Operating System | |
| Windows OS | Windows 98SE/ Windows 2000/ Windows XP |
| Embedded OS | Linux/XP Embedded |

Board Diagram



Available Accessories

| Part Number | Name | Description | Qty. |
|-------------|-------------------------------------|---|------|
| 2330-00041 | Jumper/RoHS | 2.54mm pitch, blue | 4 |
| 2360-002571 | Dual USB ports with bracket/B4/RoHS | Two USB ports to one 2x5 Pin, length: 210mm/RoHS | 1 |
| 2360-005051 | Parallel port cable/RoHS | Parallel cable, DB25 connector to 26 Pin, length: 300mm | 1 |
| 2360-008331 | HDD flat cable/RoHS | DMA66/HDD/CABLE/40P/80-line/length: 450mm | 1 |
| 2360-010011 | Serial cable/RoHS | DB9 connector to 2x5 Pin, length: 265mm/RoHS | 4 |
| 2360-018191 | Serial cable/RoHS | DB9 connector to 2x5 Pin, length: 300mm/RoHS | 1 |
| --- | Setup Guide/RoHS | AMI/BIOS Setup Guide (for CORE8) | 1 |
| --- | User's Manual/RoHS | EC8-1711CLDNA | 1 |
| --- | Driver CD/Protective film/RoHS | EC8-1711CLDNA | 1 |

Ordering Information

| Part Number | Model Number | Description |
|-------------|----------------------|---|
| 0030-005590 | EC8-1711CLDNA-M | Motherboard/Onboard Mobile Celeron 1.2G CPU |
| 0030-005570 | EC8-1711CLDNA-S/256M | Motherboard/Onboard 256M Onboard Mobile Celeron 1.2G CPU/SATA |
| 0030-005580 | EC8-1711CLDNA-S/512M | Motherboard/Onboard 512M Onboard Mobile Celeron 1.2G CPU/SATA |