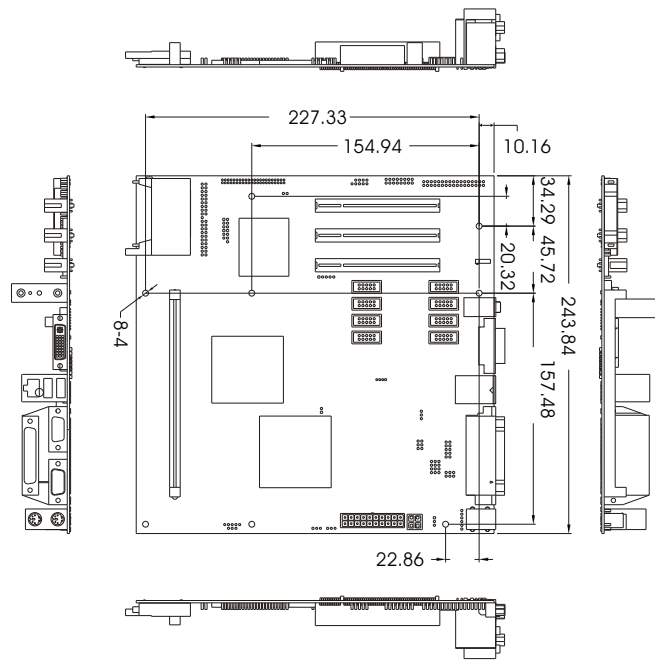
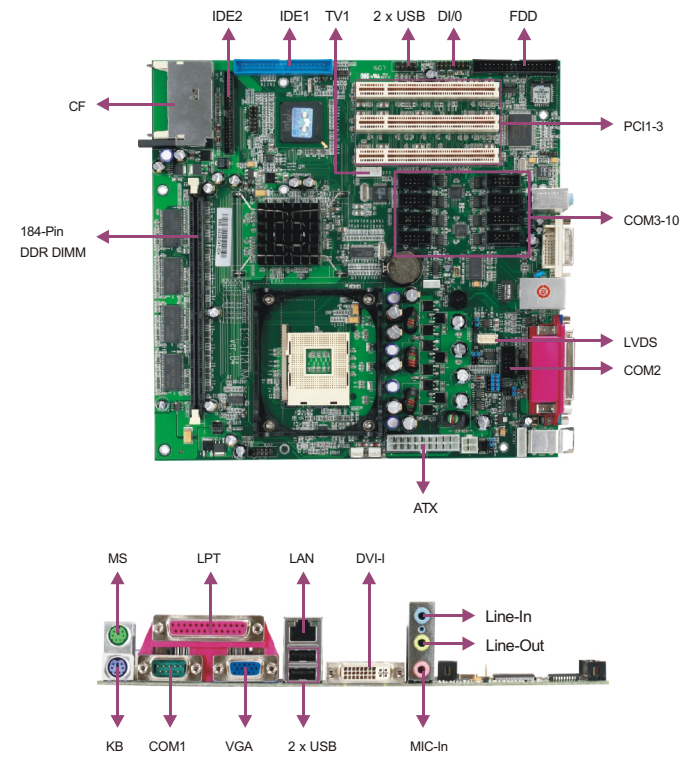


# EC9-1712LDNA

Embedded ATX SBC with VGA/DVI/LVDS/ TV-Out/10COM



## Features

- Supports Intel® 400/533FSB Pentium® 4 and Celeron® processor
- Supports 1 x 184-pin DIMM, or onboard 256MB/512MB memory
- Supports 1 x 10/100M Ethernet interface
- Supports VGA, LVDS, DVI-I, TV independent dual display
- Supports 6 x USB2.0, 10 x COM, 2 x IDE, 1 x FDD, 1 x CF, 1 x LPT, 1 x DVI, 1 x VGA, 1 x KB, 1 x MS
- Supports 3 x PCI expansion slot

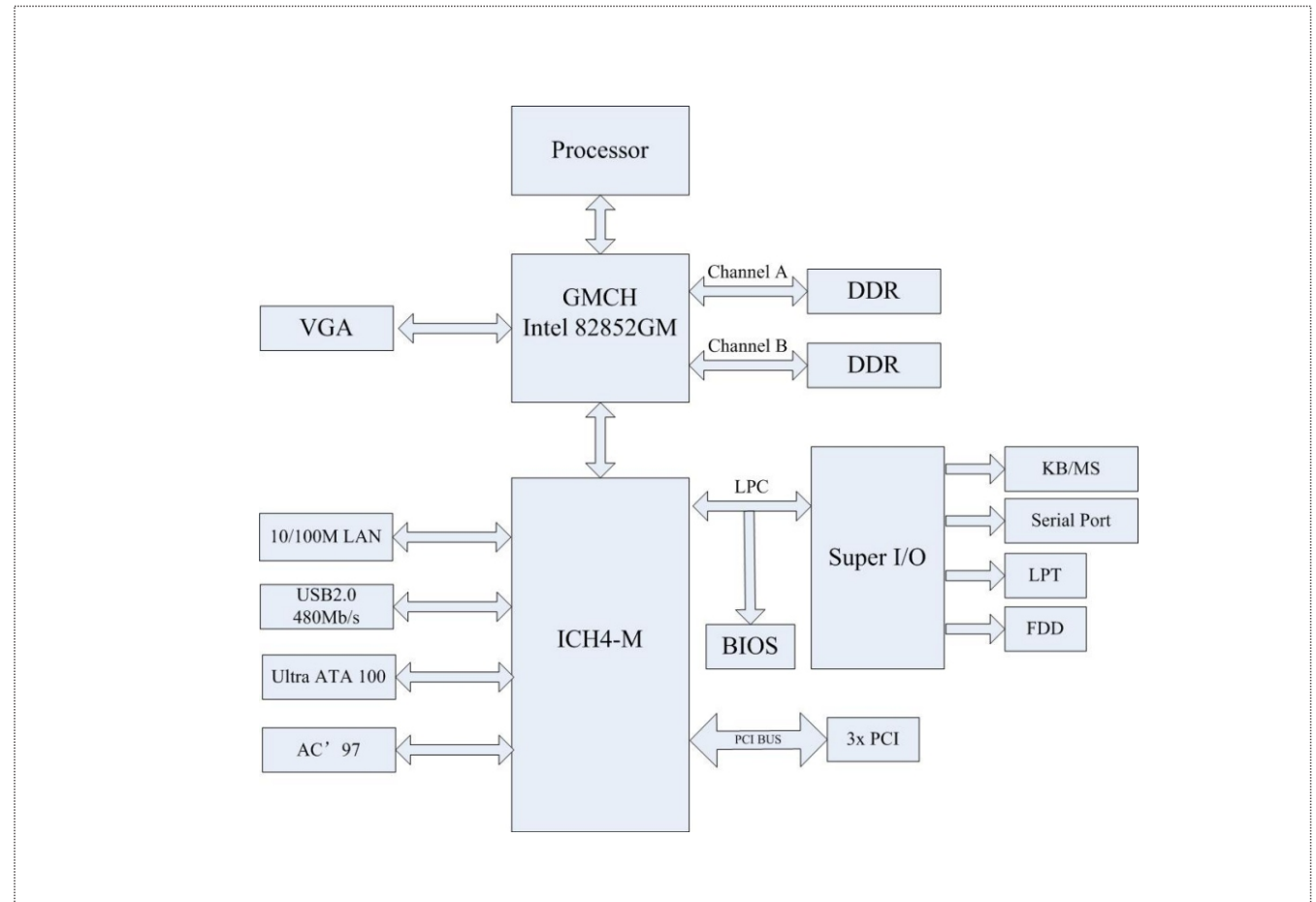


## Specifications

System	
Processor	Supports Intel® 400/533FSB Pentium® 4 /Celeron® /Celeron® D Socket 478 processor. Onboard Celeron M 1.2G CPU(Optional)
Chipset	Intel® 852GME/852GM+ICH4
Memory	Supports 1 x 184-pin DIMM, optional onboard 256MB/512MB memory, up to 1.5GB DDR 200/266 memory
Hardware Monitor	Monitors CPU temperature, voltage and watchdog timer
Watchdog Timer	1~255 sec./min. timer system reset or interrupt, setup by software
Expansion Interface	3 x PCI
Storage	
IDE	2 x Ultra ATA33/66/100 interface
Serial ATA	N/A
CF	1 x CompactFlash Socket Type I/II
DOC/DOM	N/A
I/O Interface	
USB	6 x USB2.0 port, available interfaces of 2 x USB port and 2 x 9-pin header onboard
Serial Port	9 x RS-232, 1 x RS-232/422/485(COM2) , available interfaces of 1 x DB9 and 9 x 10-pin header onboard
Parallel Port	1 x LPT
IrDA	N/A
Audio	Supports AC'97, available interfaces of Speaker-out, Line-in and Mic-in
FDD	1 x FDD interface

Display	
Chipset	Intel® 852ME/852GM chipset integrated
Memory	64MB shared memory
Resolution	VGA mode up to 1920 x 1400@60Hz or 1600 x 1200@85Hz LVDS mode up to 1600 x 1200@18bit
Dual Display	Supports VGA/LVDS/DVI-I/TV independent dual display
Ethernet	
Chipset	Intel® 82562ET
Speed	10/100Mbps
Connector	1 x RJ45
Mechanical and Environmental	
Dimensions	244mm x 244mm
Operating Temperature	0°C~60°C
Storage Temperature	N/A
Operating Humidity	5%-90%, non-condensing
Power	
Power Supply	Supports ATX power supply
Power Consumption	N/A
Operating System	
Windows OS	Windows NT 4.0/Windows 98SE/ Windows 2000/ Windows XP
Embedded OS	Linux/XP Embedded

## Board Diagram



## Available Accessories

Part Number	Name	Description	Qty.
2330-000041	Jumper/RoHS	2.54mm pitch, blue	8
2360-002571	Dual USB ports with bracket/B4/RoHS	Two USB ports to one 2x5 Pin, length: 210mm/RoHS	1
2360-006631	TV-OUT cable/RoHS	TV-OUT connector to TJC3-5P, length: 350mm/RoHS	1
2360-008331	HDD flat cable/RoHS	DMA66/HDD/CABLE/40P/80-line/length: 450mm	1
2360-009031	FDD flat cable/RoHS	34P/Floppy disk/Data/Cable/200/350	1
2360-009091	HDD flat cable/RoHS	44 Pin (2.0) HDD cable, length: 400	1
2360-010051	Two serial ports with bracket/RoHS	Two DB9 connectors to two 2x5 Pin connectors (2.0mm pitch)/RoHS	1
	Setup Guide/RoHS	AMI/BIOS Setup Guide (for CORE8)	1
	User's Manual/RoHS	EC9-1712LDNA	1
	Driver CD/Protective film/RoHS	EC9-1712LDNA	1

## Ordering Information

Part Number	Model Number	Description
0030-006711	EC9-1712LDNA	Motherboard/RoHS
0030-006710	EC9-1712LDNA	Motherboard
0030-008780	EC9-1712LDNA-M	Motherboard/mobile CPU
0030-003630	EC9-1712LDNA-M/VER.E0	Motherboard/VER.E0/mobile CPU
0030-003650	EC9-1712LDNA-M/VER.E1	(YF) Motherboard/VER.E1/mobile CPU
0030-008760	EC9-1712LDNA/no CF socket	Motherboard/no CF socket
0030-008761	EC9-1712LDNA/no CF socket	Motherboard/no CF socket/RoHS
0030-008770	EC9-1712LDNA(no DVI connector)	Motherboard/no DVI connector
0030-008771	EC9-1712LDNA(no DVI connector)	Motherboard/no DVI connector/RoHS