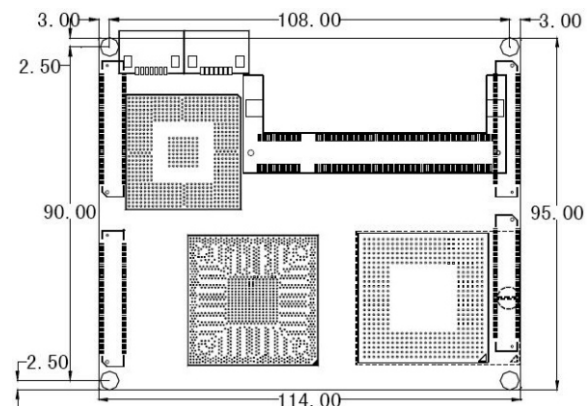
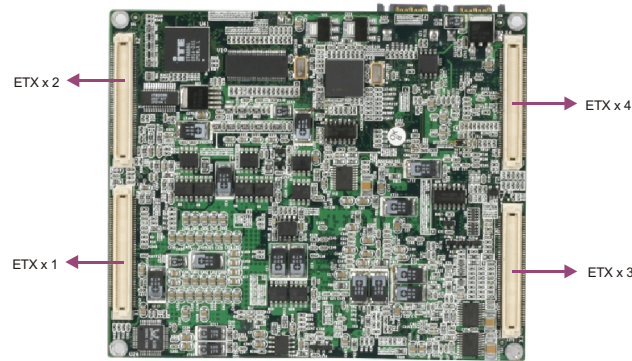
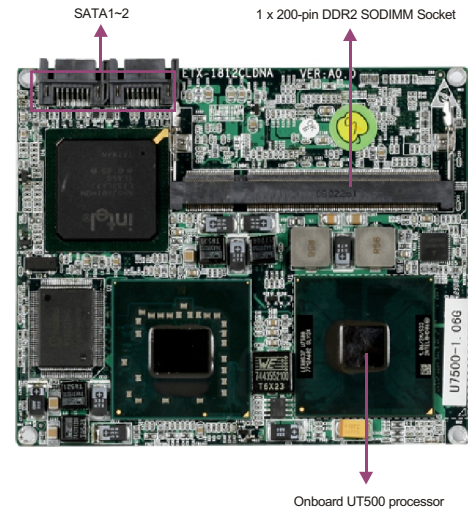


ETX-1812CLDNA

EXT wide temperature Module with VGA /LVDS/TV-OUT/SSD/LAN/ Audio



Features

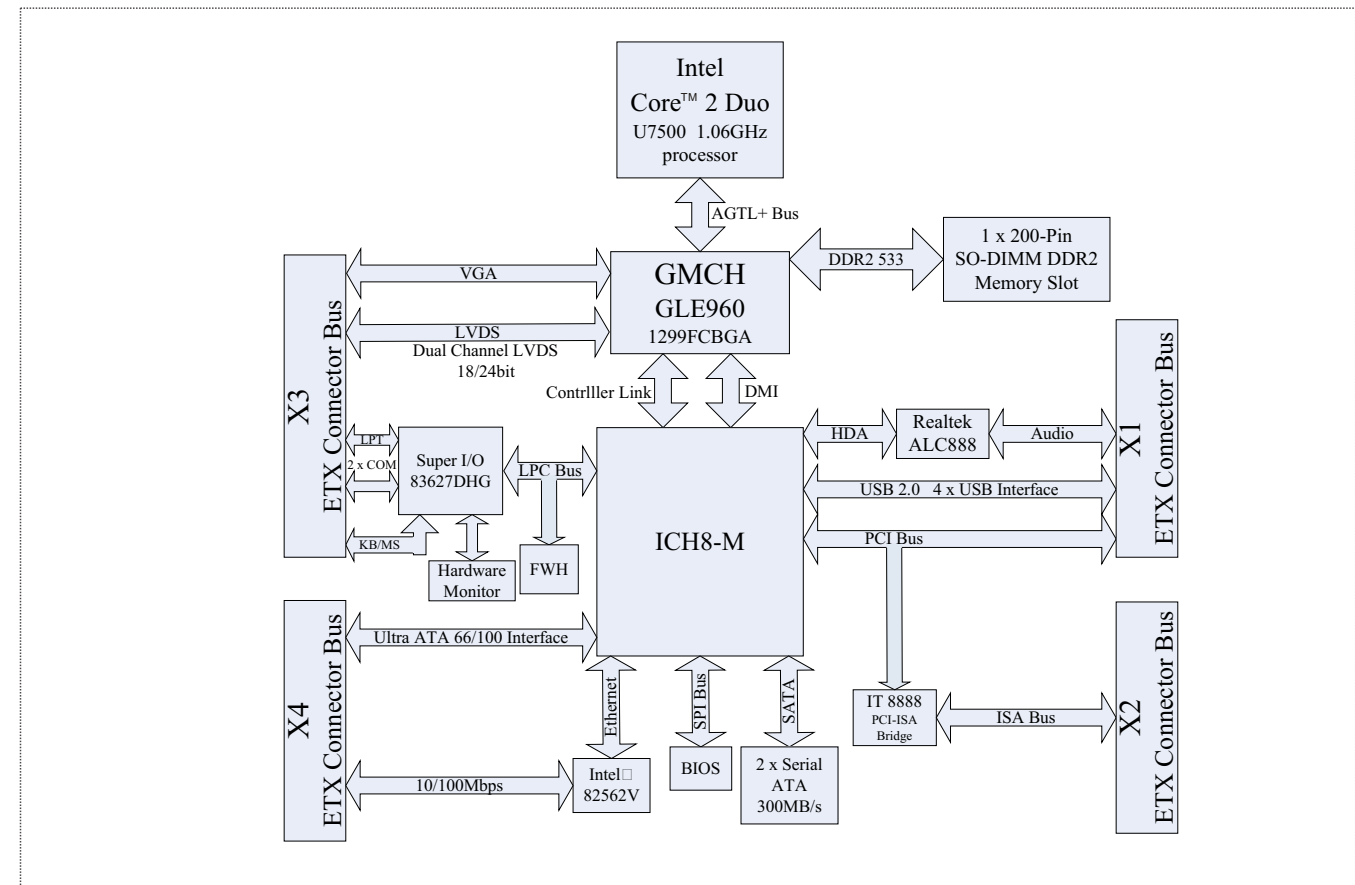
- ETX form factor with SBC
- Onboard Intel® Core™ 2 Duo U7500 1.06GHz low consumption processor
- Onboard 1 x 200-Pin SO-DIMM Slot
- Supports 1 x 10/100Mbps Ethernet controller
- Supports 2 x SATA, 2 x COM, 1 x IDE, 1 x ETX Expansion bus, 1 x CF

Specifications

System	
Processor	Onboard Intel® Core™ 2 Duo processor U7500 at 1.06GHz (10 Watts TDP), with 533MHz FSB
Chipset	Intel® GLE960+ICH8M
Memory	1 x 200-Pin SODIMM Slot, supporting DDR2 400/533MHz up to 2GB
Hardware Monitor	CPU temperature monitor, voltage monitor, and watchdog timer, etc.
Watchdog Timer	1~255 sec./min. timer system reset/interrupt, setup by software
Expansion Interface	Expansion backplane EDB-ETX03 via ETX 3.02 bus
Storage	
IDE	1 x Ultra ATA66/100 IDE interface expandable via ETX bus, supporting two IDE devices
Serial ATA	Onboard 2 x Serial ATA300MB/s interface
Floppy	N/A
CF	Supports 1 x CompactFlash Socket Type I/II in expansion board
DOC/DOM	N/A
I/O Interface	
USB	4 x USB2.0 port, available interface via ETX expansion bus
Serial Port	2 x RS-232 port, available interface via ETX expansion bus
Parallel Port	1 x LPT port, available interface via ETX expansion bus
VGA	1 x VGA Port via ETX expansion bus
LVDS	Supports 1 x LVDS dual channel Port via ETX expansion bus
Audio	Onboard Realtek ALC888 audio chip, supporting HDA, available interface expansion via ETX bus

Display	
Chipset	Intel® GLE960 integrated X3100, Core speed at 400MHz
Memory	256MB shared memory
Resolution	VGA mode up to 1600 x 1200@85Hz Dual channel 24bit LVDS interface, LVDS mode up to 1600 x 1200@75Hz
Dual Display	Supports CRT+ LVDS independent dual display
Ethernet	
Chipset	Onboard Intel® 82562 Ethernet Controller
Speed	10/100Mbps
Connector	Available connector expandable via ETX bus
Mechanical and Environmental	
Dimensions	95mm x 114mm x 10mm
Operating Temperature	-5 C~65 C
Storage Temperature	-40 C~85 C
Operating Humidity	5%-90%, non-condensing
Power	
Power Supply	Supports ATX Power supply
Power Consumption	Typical 10.8W(Intel® U7500, 2GB DDR2 533 memory)
Operating System	
Windows OS	Windows 2000/ Windows XP
Embedded OS	Vxworks/Linux/XP Embedded

Board Diagram



Available Accessories

Part Number	Name	Description	Qty.
N/A	Setup Guide/RoHS	AMI/BIOS Setup Guide (for Core/8)	1
N/A	Driver CD/Protective film/RoHS	ETX-1812CLDNA	1
N/A	User Manual/RoHS	ETX-1812CLDNA	1
2360-018021	SATAHDD cable/RoHS	SATA-7P(female)/with metal spring piece/L=550	2
2391-006371	Nut/RoHS	NutM2.5/GB/T6170-1986/nickel plating	4

Related Product

Item	Typical Recommendation
ETX SBC Module + Base Board1	ETX-1812CLDNA + DB-ETX03

Ordering Information

Part Number	Model Number	Description
0030-008560	ETX-1812CLDNA	Motherboard
0030-008561	ETX-1812CLDNA	Motherboard/RoHS