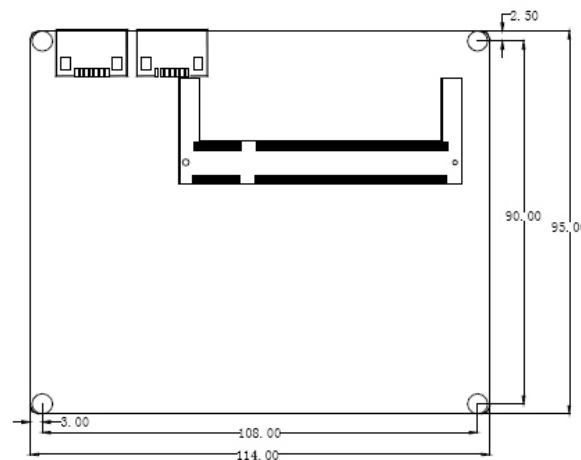
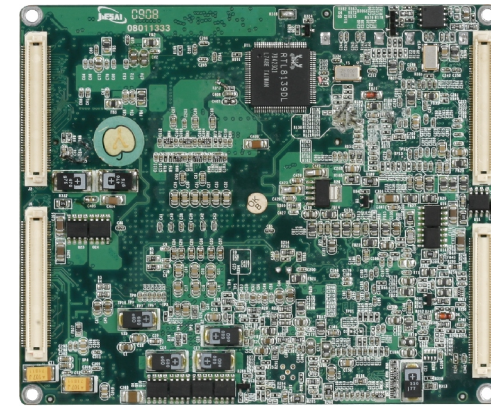
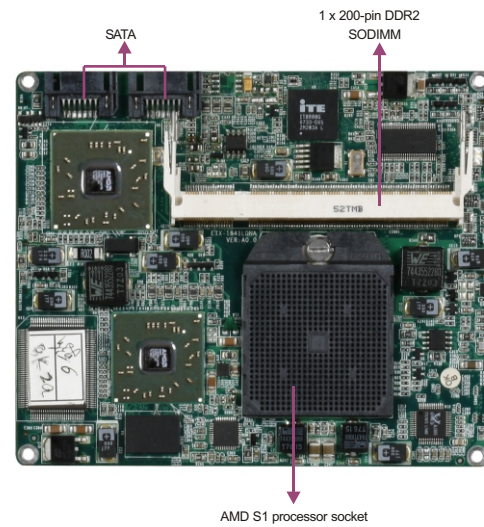


ETX-1841LDNA

ETX SBC with VGA/LVDS/SSD/LAN/Audio



Features

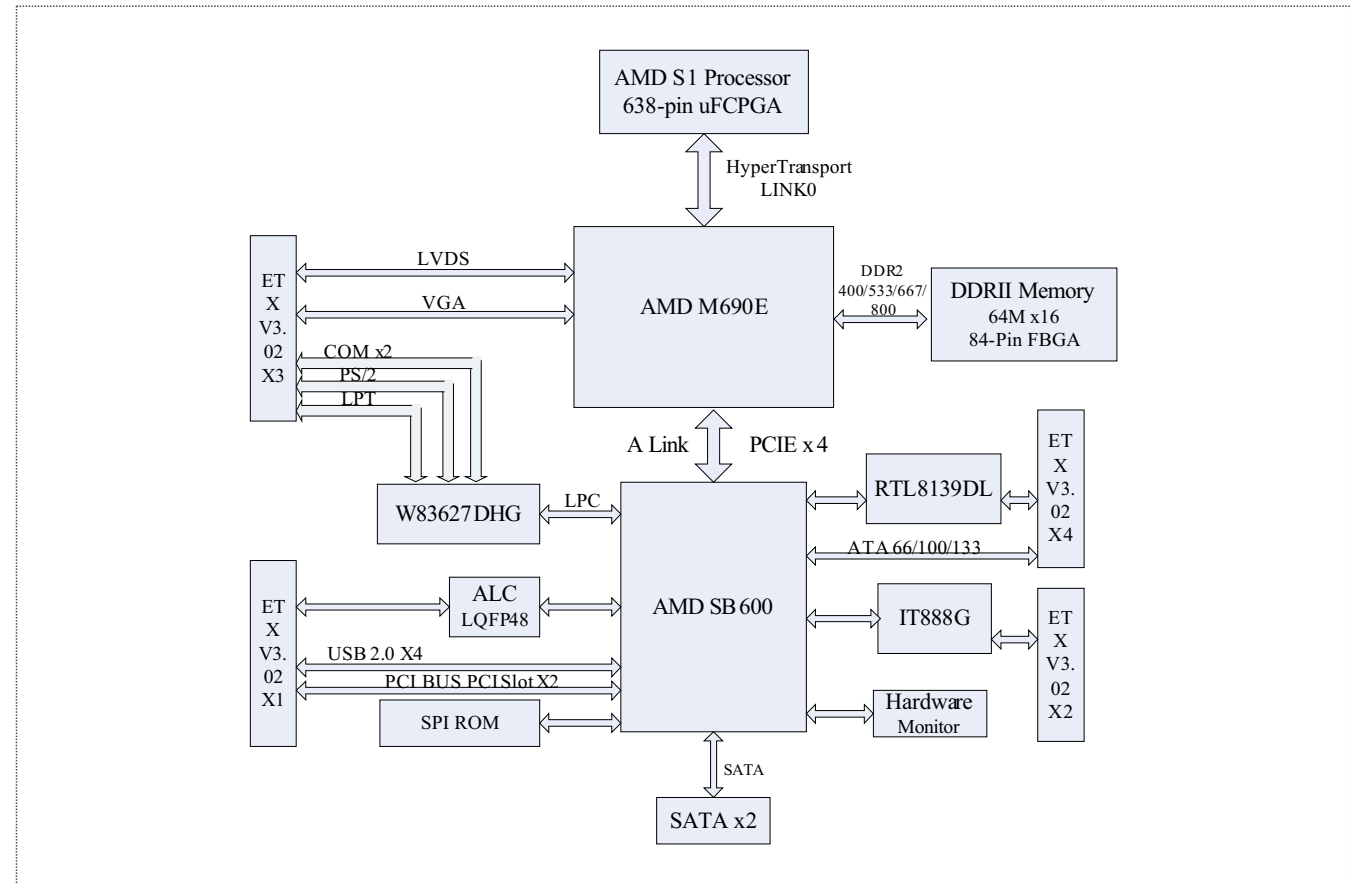
- Supports AMD Mobile Sempron™ S1 socket processor
- AMD M690E + SB600
- One SODIMM DDR2 400MHz Memory slot up to 2GB
- 2 x SATA

Specifications

System	
Product Type	ETX 3.02 SBC
Processor	Supports AMD Mobile Sempron™ S1 socket processor
Chipset	AMD M690E + SB600
Memory	1 x 200-pin SODIMM socket, DDR2 400MHz up to 2GB
Hardware Monitor	N/A
Watchdog Timer	Software programmable supports 1~255 sec./min. System reset/interrupt
Expansion Interface	
Via carrier board EDB-ETX04	
Storage	
IDE	One ATA-100 IDE interface, supporting two IDE devices
Serial ATA	2 x SATA
Floppy	N/A
I/O Interface	
USB	4 x USB2.0
Serial Port	2 x COM
Parallel Port	1 x parallel port
IrDA	N/A
GPIO	N/A
Audio	Onboard AC' 97, supporting Speaker-out, Line-in and Mic-in

Display	
Display Controller	AMD M690E integrated, VGA + LVDS dual display
Ethernet	
Ethernet Controller	RTL 8139DL 10/100Mbps Ethernet controller, WOL supported
Speed	10/100Mbps
Connector Interface	N/A
Mechanical and Environmental	
Dimensions	114mm x 95mm
Operating Temperature	0 C~60 C
Storage Temperature	-40 C~80 C
Operating Humidity	5%~90%, non-condensing
Power	
Power Supply	Supports +5, +12V power supply (via carrier board)
Power Consumption	N/A
Operating System	
Windows OS	Windows 2000/ Windows XP
Embedded OS	Linux/XP Embedded
Carrier Board(Optional)	
Model	EDB-ETX04 (ETX 3.02 SBC)
Expansion Bus	3 x PCI, ISA bus supported via EDB-ETX04
Network	1 x RJ45 interface
Storage	1 x IDE port, 1 x CompactFlash socket
I/O Interface	1 x parallel port, 2 x serial port; 1 x PS/2, Audio, 4 x USB 2.0
Operating Temperature	0 C~60 C

Board Diagram



Available Accessories

Part Number	Name	Description	Qty.
1030-100270	Cooler	ETX-1841LDNA	1
—	Driver CD/Protective film/RoHS	ETX-1841LDNA	1
2360-017961	SATAHDD cable/RoHS	SATA7 Pin to SATA7 Pin with elbow connector, length: 550mm/RoHS	1
—	Setup Guide/RoHS	AMI/BIOS Setup Guide (for CORE8)	1
—	User's Manual/RoHS	ETX-1841LDNA	1

Ordering Information

Part Number	Model Number	Description
0030-002500	ETX-1841LDNA	Motherboard
	EDB-ETX04	Backplane