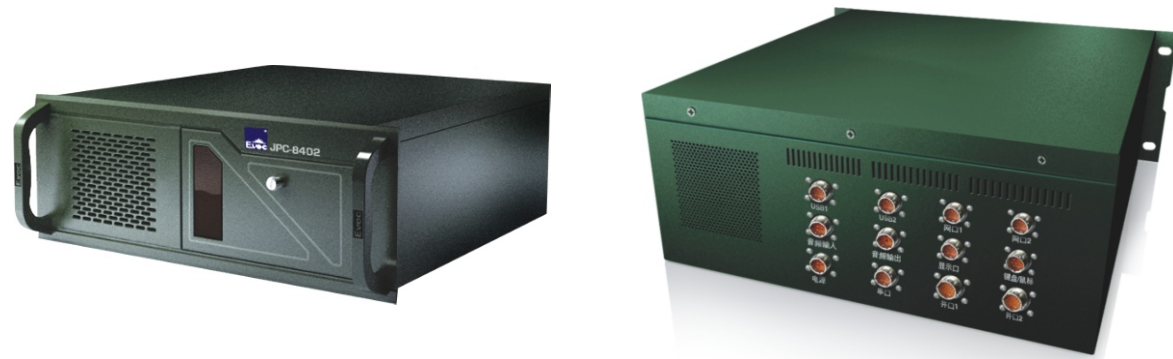


# JPC-8402

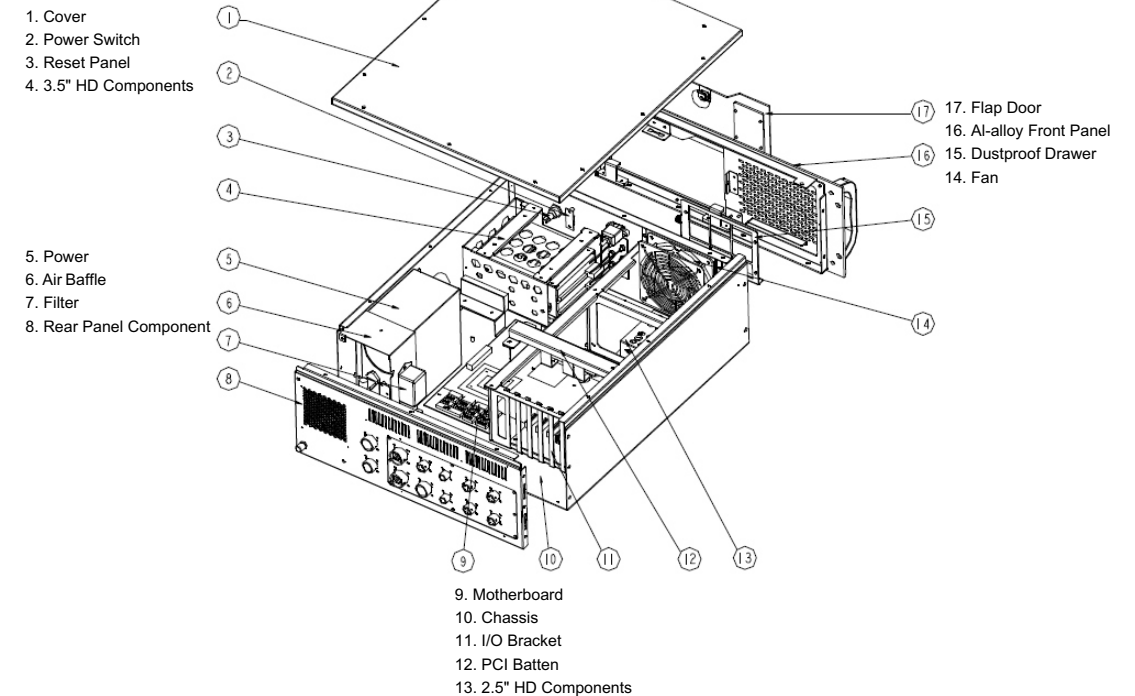
Rugged 19" 4U Rackmount Industrial PC



## Available Accessories

Part NO.	Name	Description	Qty.
1360-001311	AV cable/assembly/RoHS	Y50P-0804TK2 (female) connector to standard audio connector/UL2547/24AWG/Length: 1500mm	2
1360-001331	COM cable/assembly/RoHS	Y50P-1010TK2-7.9 (female) connector to DB9/UL2464/24AWG/Length: 1500mm	2
1360-001351	LPT cable/assembly/RoHS	Y50P-1419TK2 (female) connector to DB25/UL2464/24AWG/Length: 1500mm	1
1360-001371	MS cable/assembly/RoHS	Y50P-1010TK2 (female) connector to dual-PS/2 connector/UL2464/24AWG/Length: 1500mm	1
1360-001391	USB cable/assembly/RoHS	Y50P-1010TK2 (female) connector to dual-USB/UL2725/24AWG/Length: 1500mm	2
1360-001411	VGA cable/assembly/RoHS	Y50P-1415TK2 (female) connector to VGAUL20276/24AWG/Length: 1500mm	1
1360-001431	Power supply cable/assembly/RoHS	Y50DP-1203TK2-9.5/(female) connector to AC socket (male) /Length: 2000mm	1
2360-022941	(YF)LAN cable/RoHS	RJ45 crystal head connector to RJ45 female connector, length: 1500mm	2
	User Manual	JPC-8402	1
	Driver CD	JPC-8402	1
	Key		1

## Dimensions



## Features

- Use ATX motherboard, support Intel® Core™2 Duo Processor
- The chassis is shaped with stainless steel sheet and the panel is shaped with high-quality Al-alloy sheet and hard anodic oxidation, anti-corrosion and anti-scratch
- Provides multi PCI and PCI-E expansion slot
- Rugged connection for all rear I/O
- Optimized design in anti-vibration, rugged installation and EMC

## Specifications

Chassis	
Construction	Rugged Heavy Duty Metal
Backplane	Compatible all series of full-size CPU cards
Motherboard	IBM-0811L2NA
Power Supply	250W/300W/350W Power supply(optional)
Drive bay	Provides 1 x 5.25" CD-ROM and 3 x 3.5" HDD bay
Ventilation	Provides 1 x 8cm and 1 x 12cm ball bearing air intake fan, 1 x power supply air outtake fan, and good cross-ventilation design
Indicators	Provides 1 x 3.3" LCD to real-time monitor the temperature of the chassis inside, 1 x Power LED, 1 x Hard disk LED, 1 x Key lock LED (only for FSC-1713 series CPU cards)
Front panel	2 x USB2.0, 1 x Power switch
Others	Lockable door to protect interior components; KB ports both on the front and rear; two anti-vibration bars

## Operating System

Windows OS	Windows 2000/Windows Server 2003/Windows XP
Embedded OS	Linux/XP Embedded

Mechanical and Environmental	
Dimensions	482.6mm(W) x 480.0(D) x 177.0(H)
Reliability	MTBF ≥ 5000h; MTTR ≤ 0.5h
Safety	Meets MIL-STD-810F
Operating Temperature	-5°C~55°C
Storage Temperature	-40°C~60°C
Operating Humidity	5%~95%, 40°C non-condensing

## Test

Vibration	5-19Hz/1.2mm amplitude; 19-200Hz/1.2g acceleration
Shock	10g peak acceleration(11ms duration)
EMC/EMI	GB9254-1998 Class A, meeting MIL-STD-461E
Certification	Coming soon

## Ordering Information

Part Number	Model Number	Description
0010-017090	JPC-8402	Rugged PC (complete PC): T7500/2G DDR2/2x80G/JMB-0811L2NA/HP2-6460P/JPC-8402
0020-037170	JPC-8402/no power/no backplane	Rugged PC (empty)