

26 KEY HANDHELD KEYBOARD with 38mm laser optical trackball

Sealing IP65, PS/2 or USB output

These 26 key handheld membrane keyboards have an integrated 38mm laser optical trackball. The ball is removable, the trackball optical lenses are accessible from the front and can easily be cleaned without dismantling the complete unit. The keyboards are IP65 sealed and mounted in a very stylish and robust ABS housing. They have numeric and function keys; the control keys are available via "Fn" key mapping. Ideal for applications requiring only a limited number of key functions with fast and comfortable key access and a precise cursor control.



Panel mount version
KBMT26F1
Dim : 85 x 205 x 33 mm
Weight : 0,2 kg



Enclosed version
KBMT26S1
Dim : 105 x 210 x 60 mm
Weight : 0,4 kg

Features

- 36 membrane keys with tactile feel, 1,4 mm travel and 4N operating force
- Integrated 38 mm laser optical trackball with removable ball
- Very robust and stylish ABS housing for the enclosed version
- Front of panel mounting by six M3 mounting studs for panel mount version
- Adequate sealing into the customers panel by the added silicone sponge seal (panel mount version)

• CONNECTIVITY

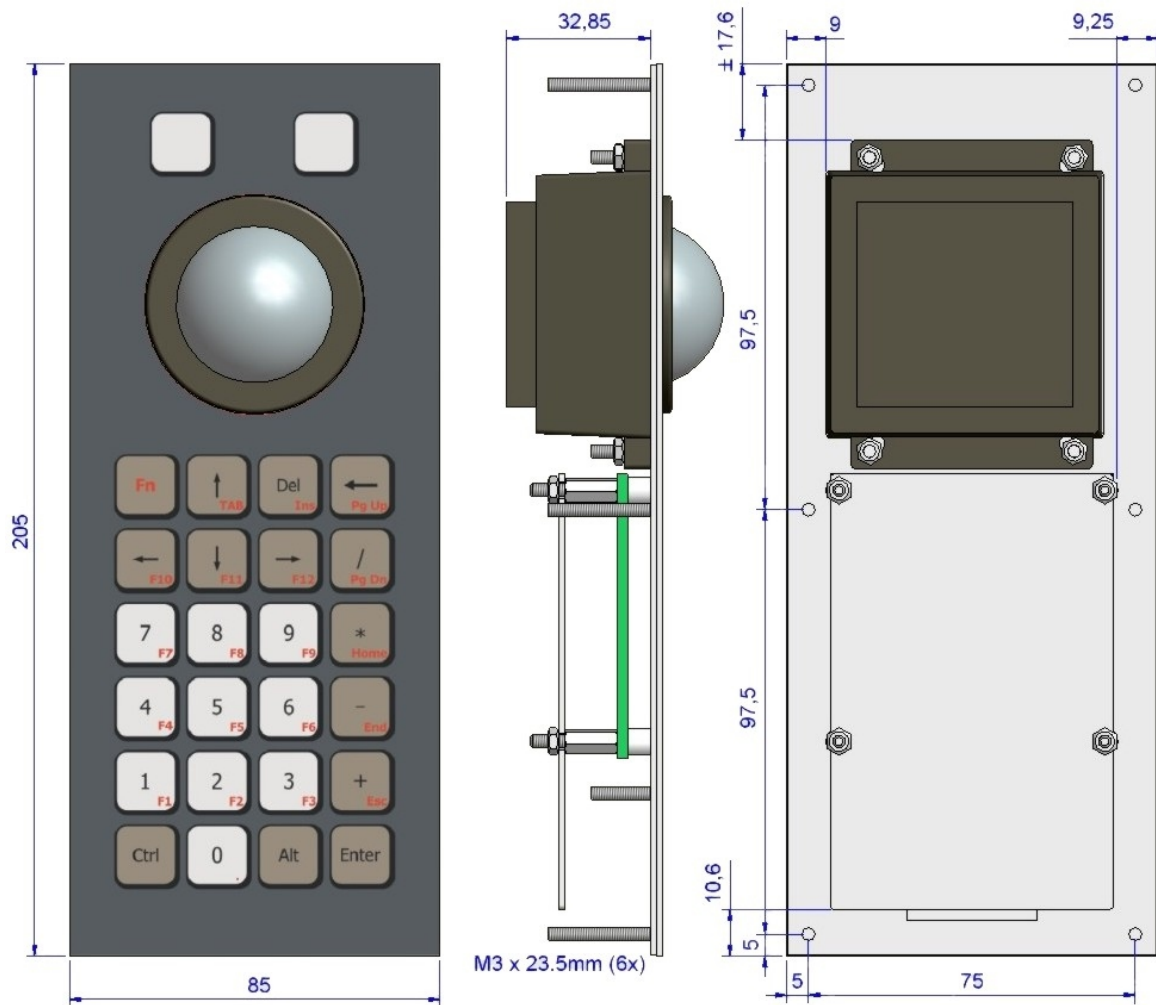
The PS/2 keyboards are supplied with one 1,6 m long shielded splitted cable ended by two PS/2 plugs. The USB versions are supplied with one 1,6m long shielded straight cable ended by a USB type A plug. Use the drivers standardly available in your operating system.

• ORDERING INFO

| | | |
|----------------------|---------------------|--|
| KBMT26 F1 yyy | Panel mount version | yyy = protocol output : PS2 = PS/2 output USB = USB output |
| KBMT26 S1 yyy | Enclosed version | |

26 KEY HANDHELD KEYBOARD

• DIMENSIONAL DRAWING (panel mount version)



Dim in mm.

Background : RAL 7024 graphite grey
 Keys : Contour : RAL 9011 graphite black
 Legends : RAL 9011 graphite black or RAL 3000 flame red
 Background : RAL 9006 white aluminium or RAL 9007 grey aluminium



NSI bvba, Haakstraat 1A, B-3740 Bilzen, Belgium
 Tel. : ++32 (0) 89 51 90 00 Website : www.nsi-be.com
 Fax : ++32 (0) 89 51 90 09 E-mail : info@nsi-be.com