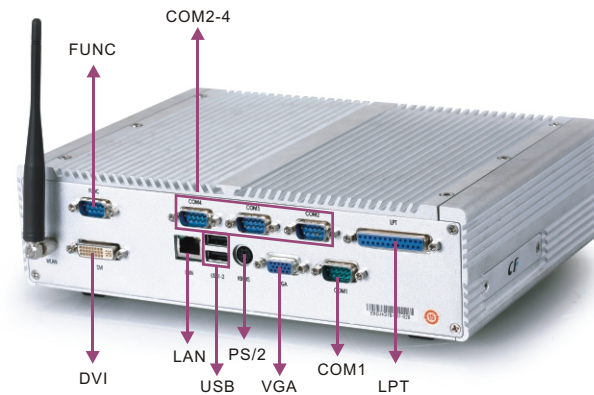


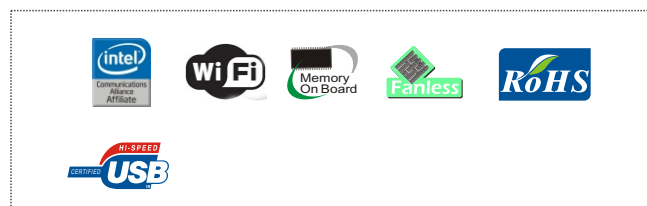
MEC-4002

Industrial Low-power Fanless Embedded PC



Features

- Onboard Intel® Low-power Intel® Celeron® M/Pentium®M CPU
- Supports the wireless function of IEEE 802.11b/g protocol and 1 x 10/100M Ethernet interface
- Supports 1 x VGA and 1 x DVI, CRT+LVDS independent dual display
- Supports 4 x USB2.0, 4 x COM, 1 x CF(optional), 3 x Audio, 1 x LPT, 1 x PS/2 ports(KB/MS)
- CF card can be easily plugged and pulled out from outside of the chassis

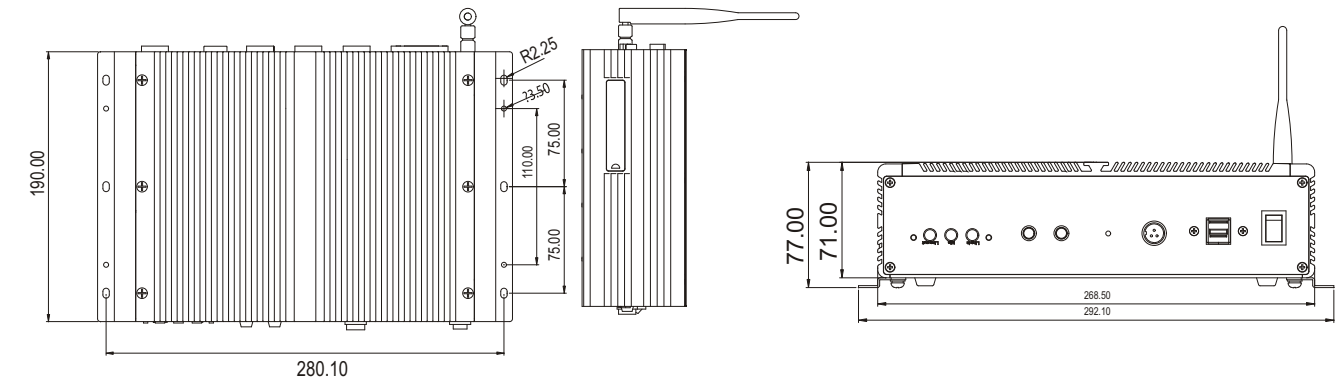


Specifications

System	
Processor	Onboard low-power Intel® Celeron® M 600M/1.0G/Pentium® M 1.4G CPU
Chipset	Intel® 852GM + ICH4-M
Memory	Onboard 256MB (optional 512MB)
Expansion Interface	N/A
Storage	
IDE	1 x ultra ATA 100 interface(optional)
Serial ATA	N/A
Floppy	N/A
CF	1 x CompactFlash Socket Type I/II(optional)
DOC/DOM	1 x DOC(reserved)
I/O Interface	
USB	4 x USB2.0 port(2 x USB in the front panel, 2 x USB in the rear panel)
Serial Port	3 x RS-232, 1 x RS232/422/485(COM1), additional one COM port available for expansion
Parallel Port	1 x LPT
IrDA	N/A
GPIO	N/A
Audio	Supports AC'97, available interface of Speaker-out, line-in and Mic-in
Display	
Chipset	Intel® 852GM integrated graphics acceleration controller at 350MHz
Memory	64MB shared system memory
Resolution	VGA mode up to 1600 x 1200@75Hz
Dual Display	Supports CRT+DVI dual display

Ethernet	
Chipset	Intel® EP 82562ET
Speed	10/100Mbps
Connector	1 x RJ45
Mechanical and Environmental	
Dimensions	268mm(W) x 70mm(H) x 190mm(D)
Reliability	MTBF ≥ 30000h; MTTR ≤ 0.5h
Operating Temperature	-10 C~55 C
Storage Temperature	-30 C~65 C
Operating Humidity	5%-95%, 40 C non-condensing
Power	
Power Supply	9V~30V DC wide-voltage input, or 60W AC input via external adapter (optional); input: AC100~240V 50/60Hz, output: DC12V~24V
Power Consumption	N/A
Operating System	
Windows OS	Windows 98SE/ Windows 2000/ Windows XP
Embedded OS	Linux/XP Embedded/Window CE
Test	
Vibration	5-15Hz/0.4mm amplitude, 15-200Hz/1.5g acceleration
Shock	15g peak acceleration(11ms duration)
EMC/EMI	GB9254-1998 Class A

Dimensions



Available Accessories

Part Number	Name	Description	Qty.
2391-005971	Screw/RoHS	Truss head M4x4/MPW4x4-NI/GB9074.1-88/black	8
1481-020111	L-type bracket/MEC-4002/RoHS	Blank/200x49x1.2/silver coating	2
2360-005031	Y-cable for keyboard and mouse/RoHS	One minDIN port to two PS/2 ports, length: 250mm/RoHS	1
2100-023691	Power supply/RoHS	FSP090-1/ADC21	1
2372-001141	Rubber pad/RoHS	20x20/3M adhesive-backed	4
2330-000041	Jumper/RoHS	2.54mm pitch, blue	1
	Driver CD/Protective film/RoHS	Long March series/	1
	User's Manual/RoHS	MEC-4002/Long March series	1
	Setup Guide/RoHS	AMI BIOS Setup Guide (for Core/8)	1

Ordering Information

Part Number	Model Number	Description
0010-001920	MEC-4002-01/80G hard disk	Complete PC: Celeron® M 1.0G/256M/80G/FSP090-1 ADC21 with cable + aviation socket/EC4-1712CLDNA/IDE-SATA-B
0010-001921	MEC-4002-01/80G hard disk	Complete PC/RoHS: Celeron® M 1.0G/256M/80G/FSP090-1 ADC21 with cable + aviation socket/EC4-1712CLDNA/IDE-SATA-B
0010-001930	MEC-4002-02/80G hard disk	Complete PC: Pentium® M 1.4G/512M/80G/FSP090-1 ADC21 with cable + aviation socket/EC4-1712CLDNA(B)/MEC-0031-DVI/IDE-SATA-B
0010-001931	MEC-4002-02/80G hard disk	Complete PC/RoHS: Pentium® M 1.4G/512M/80G/FSP090-1 ADC21 with cable + aviation socket/EC4-1712CLDNA(B)/MEC-0031-DVI/IDE-SATA-B
0010-013070	MEC-4002-01/1.0G/CF card	Complete PC: Celeron® M 1.0G/256M/1G CF card/FSP090-1 ADC21 with cable + aviation socket/EC4-1712CLDNA/IDE-SATA-B
0010-013071	MEC-4002-01/1.0G/CF card	Complete PC/RoHS: Celeron® M 1.0G/256M/1G CF card/FSP090-1 ADC21 with cable + aviation socket/EC4-1712CLDNA/IDE-SATA-B
0010-013080	MEC-4002-02/1.0G/CF card	Complete PC: Pentium® M 1.4G/512M/1G CF card/FSP090-1 ADC21 with cable + aviation socket/EC4-1712CLDNA(B)/MEC-0031-DVI/IDE-SATA-B
0010-013081	MEC-4002-02/1.0G/CF card	Complete PC/RoHS: Pentium® M 1.4G/512M/1G CF card/FSP090-1 ADC21 with cable + aviation socket/EC4-1712CLDNA(B)/MEC-0031-DVI/IDE-SATA-B
0020-031381	MEC-4002/no power supply/no backplane	Empty chassis/RoHS

- 1 Full-Size/Half-Size Slot CPU Cards
- 2 SBC/Motherboard/Modules
- 3 Embedded Box PC
- 4 Network Application Computers
- 5 Industrial PC
- 6 HMI
- 7 EVOG Rugged Series
- 8 MCC Series
- 9 Chassis
- 10 Data Acquisition Boards & Modules
- 11 Accessories

- 1 Full-Size/Half-Size Slot CPU Cards
- 2 SBC/Motherboard/Modules
- 3 Embedded Box PC
- 4 Network Application Computers
- 5 Industrial PC
- 6 HMI
- 7 EVOG Rugged Series
- 8 MCC Series
- 9 Chassis
- 10 Data Acquisition Boards & Modules
- 11 Accessories