



Main Features

- 16:9 8.9" Fan-less Panel Computer
- Intel® Atom™ N270, Low Consumption CPU
- 2nd Display VGA Port
- Dual GbE
- 2 x USB/1 x Mini-PCIe/1 x CF/1 x RS232, 1 x RS232/422/485
- Optional Touch Screen, WiFi Module, 2.5" HDD
- DDR2 1GB
- 2.5" HDD Bracket
- Two Speakers
- CF as Default (DVI/COM2 as Optional)
- +12V Power Adaptor
- Dimension: 225mm (W) x 139mm (H) x 53.9mm(D)

Product Overview

NEXCOM's Multimedia Panel PC incorporates a 16:9 LCD touch screen panel, industrial motherboard and PowerDigiS Digital Signage Software making it the perfect "signage ready" Panel PC solution for the Self Service/Kiosk applications. The front panel with touch screen is IP-65 compliant and is therefore resistant to water and dust.

The MPPC 0810T is available in 8.9" LCD size with resolutions up to 800x600(VGA). Other features include built-in dual Ethernet and optional WiFi module and the slimmest x86 based touch terminal. Designed for an extended number of applications the MPPC Series can be utilized as a thin client computer or within in-vehicle systems, portable devices, and digitalized home and POS / Kiosk terminals.

Specifications

Panel

- LCD size: 8.9", 16:9
- Resolution: WSVGA, 1024 x 600
- Pixel pitch: 0.1905mm (H) x 0.189mm (V)
- Luminance: 220 cd/m²
- Contrast ratio: 500
- Viewing angle: 50 (U), 60 (D), 70 (L), 70 (R)
- Response time: 30 ms
- Backlight: LED Backlight
- Touch screen (optional): 5-line Resistive
- Touch light transmission: 80%
- Touch interface: USB

System

- CPU: Onboard Intel® Atom™ N270 1.6GHz (2.5W)
- BIOS: Award 8Mbit Flash BIOS
- System chipset: Intel® 945GSE / ICH7M
- I/O chip: ITE8712F
- System memory: 1GB DDR2 and One 200-pin DDR2 SODIMM supports up to 2GB DDR2 400/533 (1GB per bank)

- SSD: One CF socket by IDE secondary slave channel supports Type I / II Compact Flash Card
- Hard driver bay: Optional 2.5" SATA HDD
- Watchdog Timer
Reset: 1 sec. to 255 min. and 1 sec. or 1 min./step
- H/W status monitor: Monitoring system temperature, voltage, and cooling fan status.
- Expansion: Mini-PCIe

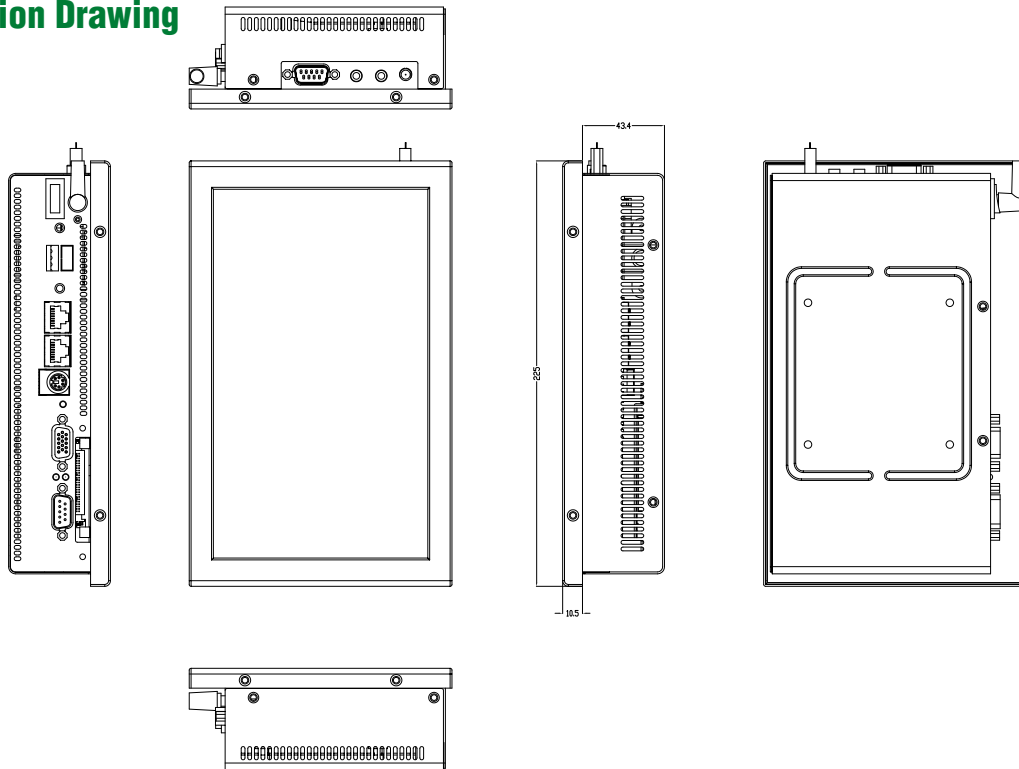
Rear I/O

- Serial port: 1 x RS232, 1 x RS232/422/485
- Ethernet: 2 x RJ45
- VGA: 1 x DB-15
- Audio port: Line out
- USB: 2 x USB 2.0

Audio

- AC97 codec: Realtek ALC 655 supports 5.1CH Audio
- Audio interface
Connector: Line out

Dimension Drawing



Ethernet

- LAN chip: Dual Realtek RTL8111C Gigabit LAN
- Ethernet interface: 10/100/1000 Base-Tx Fast Ethernet compatible

Mechanical & Environment

- Color: Front & Rear panel Black
- Mounting: Wall/Stand/VESA 75mm x 75mm
- Power input: 100Vdc to 250 Vdc/ 47Hz to 63Hz
- Power output: +12 Vdc / 7A (80W)
- Operating temperature: 32 to 104°F (0 to 40°C)
- Storage temperature: -4 to 167°F (-20 to 75°C)
- Operating humidity: 5% to 90% relative humidity, non-condensing
- Dimensions: 225mm (W) x 139mm (H) x 53.9mm(D)
- Weight: 1.41Kgs

Ordering Information

- **MPPC 0810 (P/N: 7800000018X00)**
8.9" TFT Panel PC with Intel® Atom™ N270 1.6GHz, 1GB DDR2
- **MPPC 0810T (P/N: 7800000019X00)**
8.9" TFT Panel PC with Intel® Atom™ N270 1.6GHz, 1GB DDR2 with Touch screen