

MPPC 2120T

21.5" TFT Full HD 16:9 Fanless Panel PC with Intel® Atom™ D525,
1.8 GHz, Touch Screen, 1GB DDR3, 4xUSB, 2xCOM



Main Features

- 16:9 21.5" Fanless Panel Computer
- Intel® Atom™ D525, Dual Core, Low Consumption CPU
- Dual GbE/ Line-in/ Line-out/ MIC-in/ PS2 KB/MS
- 4 x USB/ 2 x mini-PCIe sockets/ 1 x CF/ 2 x RS232/ 422/ 485
- DDR3 1GB/ 2.5" HDD Bracket/ Two Speakers
- Optional Wi-Fi Module/ 2.5" HDD/ VGA Splitter/ Panel Mount Kit
- Panel Mount/ VESA Mount Compliance
- Wide Range Power Input 12V~ 30V DC

Product Overview

The MPPC 2120T is available in 21.5" 16:9 LCD size with resolutions up to 1920x1080 (full HD) and industrial motherboard making it the perfect "signage ready" Panel PC solution for self Service/Kiosk and interactive digital signage players. The resistance touch screen enhances user interaction to offer improved customer service. In addition, the MPPC 2120T is fanless multimedia Panel PC which is powered by a high performance Intel® Atom™ D525 processor with Intel® ICH8M chipset and support for DDR3 memory, which enable simultaneous running of rich stream dynamic multimedia content. Other features include built-in dual Ethernet, optional Wi-Fi module, the slimmest x86 based touch terminal and panel/VESA mount design which minimizes space and enables installation almost any location, including retail outlets, supermarkets, train station and airports.

Specifications

Panel

- LCD size: 21.5", 16:9
- Resolution: full HD, 1920 x 1080
- Luminance: 420 cd/m²
- Contrast ratio: 3000
- LCD color: 16.7M
- Viewing angle: 89 (U), 89 (D), 89 (L), 89 (R)
- Backlight: LED
- Touch screen: 5-line Resistive
- Touch light transmission: 80%
- Touch interface: USB

System

- CPU: Intel® Atom™ D525, 1.8GHz
- BIOS: AMI BIOS
- System chipset: Intel® ICH8M
- System memory:
 - 1x 204-pin DDR3 SO-DIMM socket, 1G DDR3 (Default), Support up to 2GB DDR3 800, Non-ECC and Un-buffered
- SSD: one external locked CF socket by IDE support Type I/II compact Flash card

- Hard drive bay: optional 2.5" SATA HDD or SATA DOM
- Watchdog timer: Watchdog timeout can be programmable by software from 1 second to 255 seconds and from 1 minute to 255 minutes (Tolerance 15% under room temperature 25°C)
- H/W status monitor: Monitoring system temperature, and voltage
- Expansion: 2x Mini-PCIe sockets

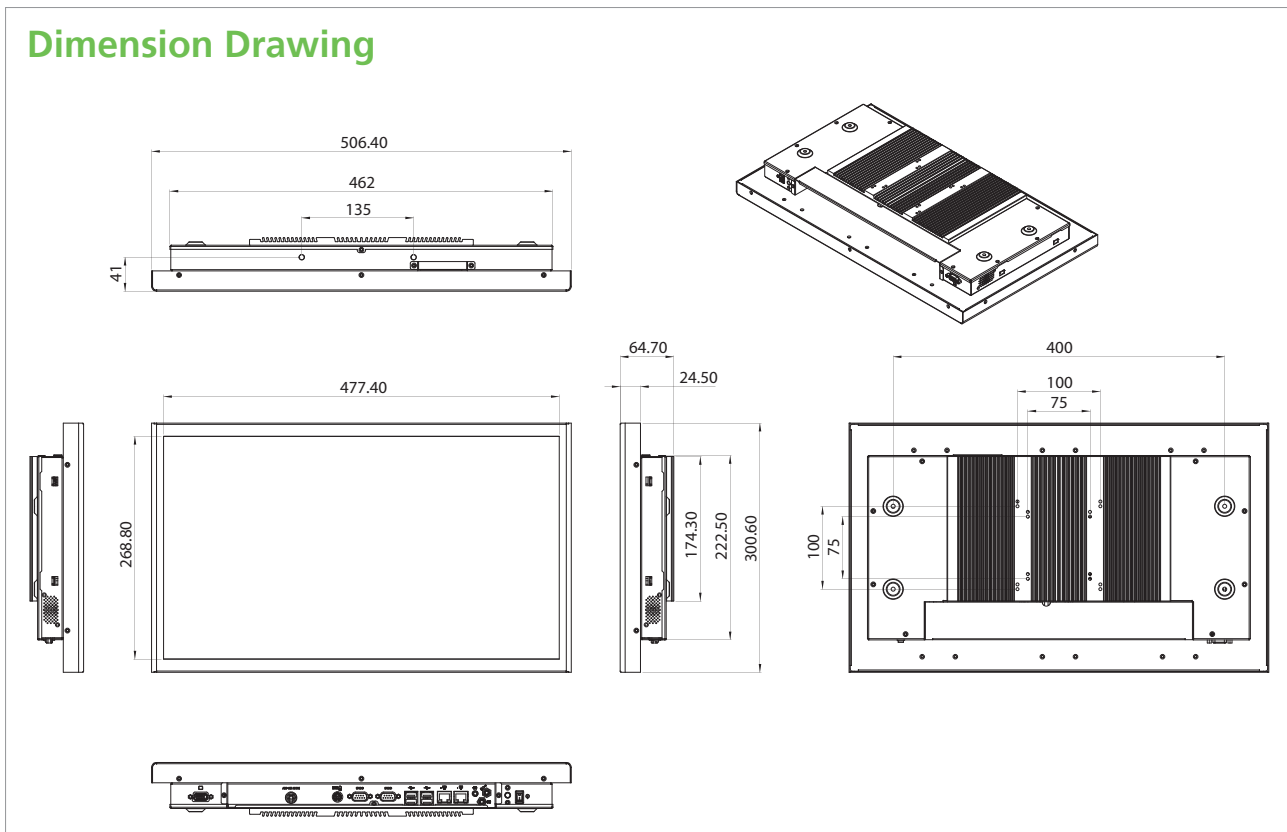
Rear I/O

- COM #1: RS232/422/485
- COM #2: RS232/422/485
- Ethernet: 2 x RJ45
- Clone VGA port: 1 x DB15 (VGA Splitter Optional)
- Audio port: 1 x Line out; 1 x Line in; 1 x MIC-in
- USB: 4 x USB 2.0
- PS2 keyboard/ mouse
- Power switch
- Reset button

Audio

- AC97 codec: Realtek ALC888
- Audio interface: Line out/Line in/MIC-in Audio Jack
- Two 2W Speakers

Dimension Drawing



Ethernet

- LAN chip: dual Intel® 82574L Gigabit LAN
- Ethernet interface: 10/100/1000 Based-Tx Ethernet compatible

Mechanical & Environment

- Color: pantone black
- Mounting:
panel/ wall/ stand/ VESA 75x75; 100x100; 400x100mm
Panel Mount Kit (Optional)
- Power input: 12V~ 30V DC
- Power adapter: AC to DC power adaptor (+12V, 60W)
- Vibration:
IEC 68 2-64 (w/ HDD)
0.5Grms @sine, 5~500Hz, 1hr/axis (HDD Operating)
2.2Grms @ random condition, 5~500Hz, 0.5hr/axis (Non-operating)
- Shock:
IEC 68 2-27
HDD: 20G@wall mount, half sine, 11ms
- Operating temperature: 0°C to 45°C
- Storage temperature: -20°C to 75°C
- Operating humidity: 20%~80% relative humidity, non-condensing
- Dimension: 506.4 x 300.6 x 64.7 mm
- Weight: 8 Kg

Certifications

- CE approval
- FCC Class B

Ordering Information

♦ MPPC 2120T Ver. B (P/N: 90IM2120T02X0)

21.5" TFT Panel PC with Intel® Atom™ D525 1.8 GHz, touch screen, 1GB DDR3, COM#1/ #2, Power Adapter