

NDiS 125

Slimmest Embedded Computer Powered by Intel® ATOM™ D525



Main Features

- ◆ Intel® ATOM™ D525 Platform
- ◆ Low Power Consumption
- ◆ 25.2 mm slim
- ◆ Powerful NVIDIA ION2 GPU
- ◆ Hyper-Threading Support

Product Overview

Powered by Intel® ATOM™ D525 processor, NDiS 125 can handle very rich multimedia contents. With Intel® ATOM™ processor low power consumption feature, NDiS 125 supports display output by VGA and HDMI ports. NDiS 125 is ideal as entry level digital signage player for advertising, hospitality and brand promotion application.

Specifications

CPU Support

- ◆ Intel® ATOM™ Dual Core D525 1.8GHz CPU onboard

Chipset

- ◆ Intel® NM10 Express Chipset

Graphics

- ◆ NVIDIA ION2

Main Memory

- ◆ 1GB DDR3 800 SO-DIMM

I/O Interface-Front

- ◆ 2 x USB2.0

I/O Interface-Rear

- ◆ 19VDC Power in
- ◆ 1 x D-Sub
- ◆ 2 x USB 2.0
- ◆ 1 x RJ45 with LEDs for 10/100/1000Mbps Ethernet
- ◆ 1 x Audio-out
- ◆ 1 x HDMI

Storage

- ◆ 160 GB 2.5" SATA HDD

Dimensions

- ◆ 172.6 mm (W) x 153.6 mm (D) x 25.2 mm(H) w/o mounting bracket

Power Supply

- ◆ 1 x External 65W AC/DC power adapter

Expansion

- ◆ USB interface built-in 802.11 b/g/n WLAN module (Default)

Environment

- ◆ Operating Temperature: 0°C to +40°C
- ◆ Storage Temperature: -20°C to +80°C
- ◆ Humidity: 10 to 90% (Non-condensing)

Certification

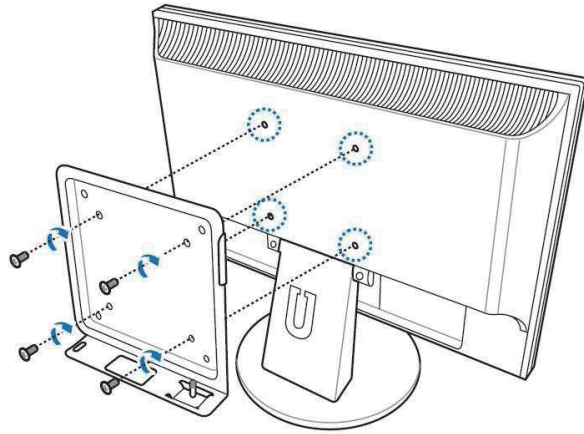
- ◆ CE approval
- ◆ FCC Class A

Ordering Information

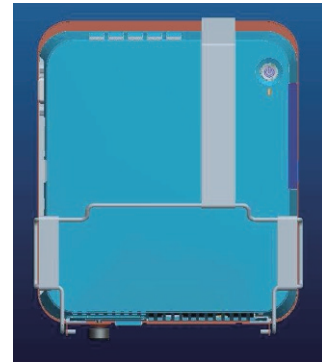
◆ NDiS 125 (P/N: TBD)

Intel® ATOM™ Dual Core D525 Processor onboard
NVIDIA ION2 Chipset

VESA Mount Bracket (Default)



Front Side



Rear Side

