

NISE 3144F

Intel® Core™ 2 Duo PoE enable System with IEEE1394b,
4 x PoE interfaces, 1x PCI expansion and Smart FAN



Main Features

- Support Intel® Core™ 2 Duo / Celeron® processor
- Intel® GM45 chipsets
- Dual Intel® 82574L Gigabit Ethernet ports
- Dual VGA or VGA/DVI Independent Display
- 3 x RS232 and 1 x RS232/422/485 with Auto Direction Control
- One external locked CF socket
- 4x PoE ports
- Dual IEEE1394b ports
- Support 16V to 30V DC power input
- Support ATX power mode and PXE / WOL / LAN Teaming

Product Overview

NISE 3144F PoE enable computer integrated with smart FAN design. For those higher power consumption power devices, NISE 3144F provides a smart solution to programming the FAN speed based on the environment thermal condition. NISE 3144F provide the user friendly design on replacing a new FAN without opening the whole system. NISE 3144 is design specially to meet high performance-oriented demand, for example, Intel T9400 processor, 2x HDD as the RAID function or 4x PoE class 3 power device.

NISE 3144F provides a number of important features required by image processing operation, including dual-channel DDR3 memory, two Gigabit Ethernet LANs, auto-direction control on RS485, optional IEEE1394b interface and 4x PoE ports. On top of that, NISE 3144F supports dual independent displays through 2x VGA, DVI or LVDS outputs. With smart FAN design in NISE 3144F, it provides the flexibility for high computing and high power demand in industrial environment.

The NISE 3144F integrated with PoE solution ease the difficulties of providing different power sources for devices such as IP camera in buses / police cars / sightseeing bus / school bus, VoIP telephones, RFID and so on. Thus, NISE3144F is an ideal industrial solution for Inspection and surveillance applications by utilizing PoE power devices, for example, security control by PoE enable IP camera, logistic management by PoE enable RFID reader or Ethernet communication by PoE enable IP phones.

Specifications

Main Board

- NISB 3140M
- Support Intel® Core™ 2 Duo Processor T9400 (6M Cache, 2.53 GHz, 1066 MHz FSB)
- Support Intel® Core™ 2 Duo Processor P8600 (3M Cache, 2.40 GHz, 1066 MHz FSB)
- Support Intel® Core™ 2 Duo Processor P8400 (3M Cache, 2.26 GHz, 1066 MHz FSB)
- Support Intel® Celeron® Processor 575 (1M Cache, 2.00 GHz, 667 MHz FSB)

Main Memory

- 2x 240-pin DIMM, up to 4GB DDR3 800/1066 MHz SDRAM, un-buffered and non-ECC

Chipset

- Intel® GM45 Graphics and Memory Controller Hub
- Featuring the Mobile Intel® Graphics Media Accelerator 4500MHD
- Intel® 828011BM I/O Controller Hub

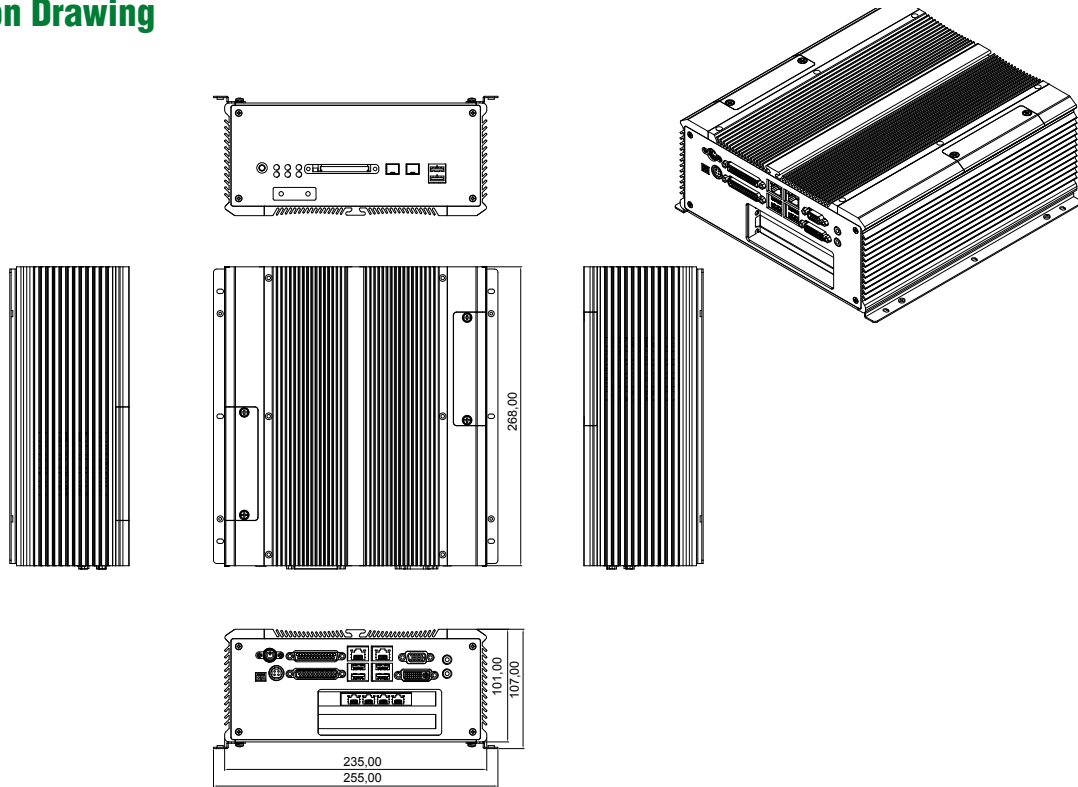
I/O Interface-Front

- ATX power on/off switch
- HDD Access/Power status
- 1 x Front Access CF Card Socket
- 2 x USB2.0 ports
- Dual IEEE1394b ports

I/O Interface-Rear

- 2-pin Remote Power on/off switch
- 16 ~ 30V DC input
- 1 x PS/2 for Keyboard/Mouse
- 1 x DB25 Parallel Port (Optional GPIO or LVDS interface)
- 1 x DB44 Serial Port for 4x RS232 (COM2: RS232/422/485 with Auto Flow Control)
- 2 x Gbe LAN ports
- 4 x USB2.0 ports
- 1 x DB15 VGA port
- 1 x DVI-I Port (DVI-D + VGA)
- 1 x Speaker-out and Line-in
- 4 x ports PoE

Dimension Drawing



Highlights on PoE ports

- IEEE802.3af compliant, deliver 15.4W per port
- Unmanaged switch function
- IEEE802.3 10 Base-T and 100 Base-Tx compatible
- Full or half duplex at 10/100 Mbps
- IEEE 802.3u Auto-negotiation Supported
- Transfer performance: 14,880pps for Ethernet and 148,800pps for Fast Ethernet
- Transfer packet size: 64 to 1522bytes

Smart FAN

- Two smart programmable FAN
- Sound level on FAN: 42dB(A) @ 100% and 20dB @ 0-20%

Storage Device

- 2 x 2.5" SATA HDD drive bay (RAID 0 and 1 are supported)
- One external locked CF card socket

Supported OS

- Windows NT
- Windows XP
- Linux Kernel 2.4 & 2.6

Expansion

- One PCI expansion
- Max. Support Add-on Card Length: 169mm

Power Requirements

- ATX power mode
- On-board DC to DC power support from 16V to 30VDC
- Optional power adapter

Dimensions

- 235mm (W) x 268 mm (D) x 101mm (H) (9.3" x 10.5" x 3.98")

Construction

- Aluminum Chassis with fan-less design

Environment

- Operating temperature:
Ambient with air flow: -5°C ~ 50°C
(According to IEC60068-2-1, IEC60068-2-2, IEC60068-2-14)
- Storage temperature: -20°C ~ 80°C
- Relative humidity: 10% to 93% (Non-Condensing)

Certifications

- CE approval
- FCC Class A

Ordering Information

- **Barebone**
NISE 3144F (P/N: 10J00314402X0) RoHS Compliant
Intel® Core™ 2 Duo / Celeron® PoE enable Bare-Bone system with 4x PoE ports
- **24V, 180W AC/DC power adapter w/o power cord**
(P/N: 7400180002X00)