

50 mm VANDALPROOF TRACKBALLS

STAINLESS STEEL

IP65 sealed (static)

This range is highly ruggedized and designed for harsh industrial applications, kiosk consoles, navigation controls, etc... This trackball unit features a robust, vandalproof construction and all metal look : the carrier plate made of brushed stainless steel, a stainless steel ring protecting the trackball sealing and three anti-vandal stainless steel and IP65 sealed switches. The 50mm trackball module itself can either have :

- Conventional encoding technology, GK50 type, with a black phenolic resin ball for highest resistance to hostile impacts and to scratches and with a sealing grade of IP65 static. Type **TBS50F2**
- Conventional encoding technology, GK50 type, with a stainless steel ball for styling (complete stainless steel appearance) with a sealing grade to IP54. Type **SBS50F2**



TBS50F2 IP65 black phenolic ball
 Option : The TBS50F2 can be supplied with a black coated stainless steel topplate. **TBS50F2-BT1**
 dim : 100 x 116 x 40 mm
 weight : 0,6 kg



SBS50F2 Stainless steel ball
 dim : 100 x 116 x 40 mm
 weight : 1 kg

• SPECIFICATIONS

Carrier plate : brushed stainless steel (AISI 316)
 Ball diameter : 50,8 mm.
 Ball material : phenolic resin, black (TBS50F2)
 : stainless steel AISI 316 (SBS50F2)
 Resolution : 155 pulses per ball revolution
 Tracking force : nom. 50 grams (TBS50F2)
 : nom. 100 grams (SBS50F2)
 Lifetime : > 2 million ball revolutions
 Shielded cable : straight 1,6 m long
 Protection class : see text above
 Operating temperature range : -10°C to +60°C
 Storage temperature range : -25°C to +80°C

Push button switches

Sealing : IP65
 Material : stainless steel, brushed
 Mechanical life : 1 mil. cycles min
 Contacts : gold plated
 Travel : 1,3mm
 Operating force : 4N typ
 Initial contact resistance : 50mOhms max
 Operating temperature : -20°C to +60°C

CE : compliant to EMC Directive 89/336/EEC for Electromagnetic Compatibility. Low Voltage Directive 73/23/EEC not applicable for our trackballs.

• CONNECTIVITY

These combo PS/2 & USB trackball units have a 1,6 meter long shielded straight cable ended by a PS/2 plug. An adaptor to USB type A is added. No special device driver is needed, use standard available drivers of your operating system.

* Due to the increasing differences of the PS/2 mouse port specifications of the various PC manufacturers, we do recommend that this unit should be tested on the final PC configuration and operating system prior to installing it in series.

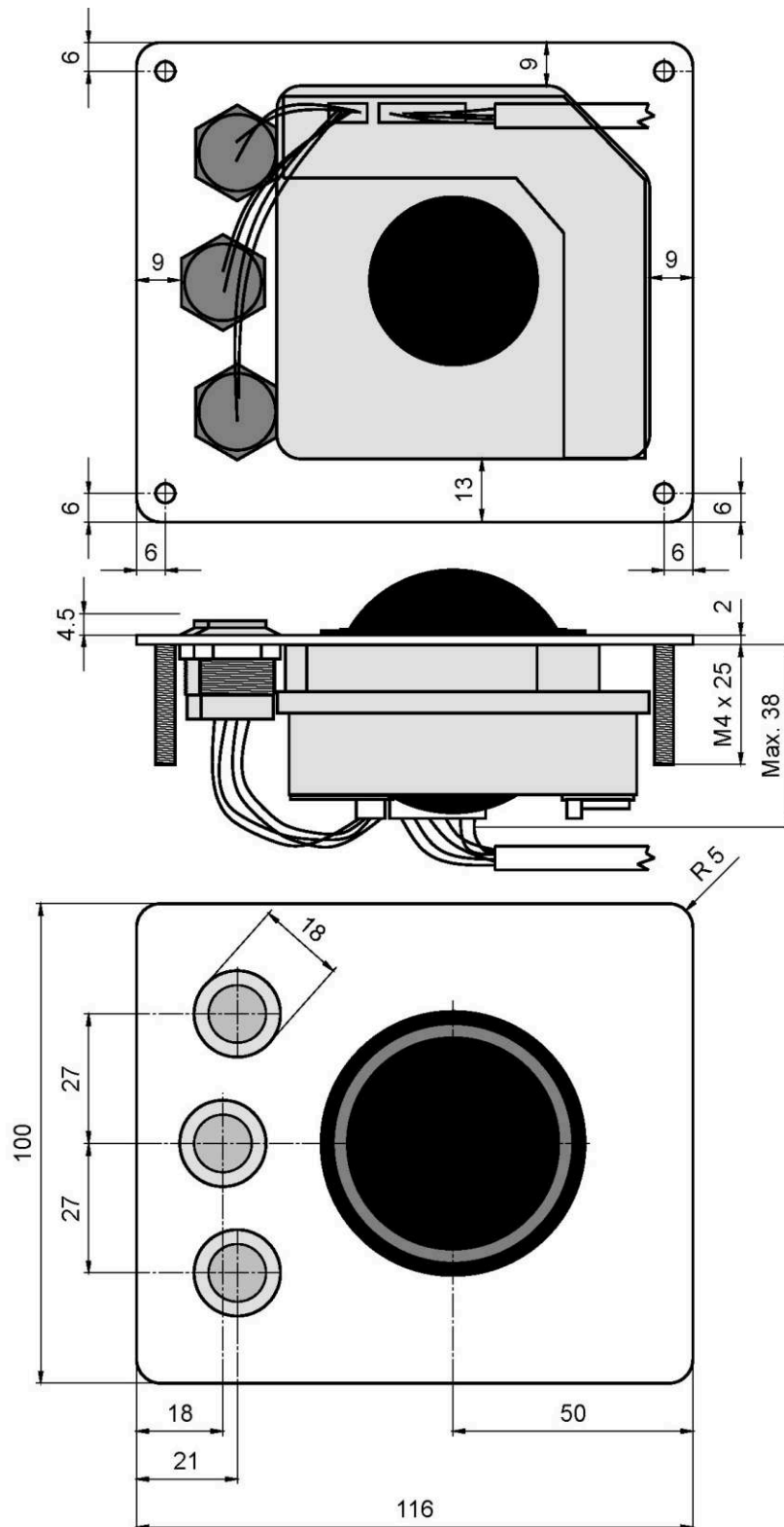
• ORDERING INFO

	Phenolic Resin Ball	Stainless Steel Ball
Standard	TBS50 F2	SBS50 F2
Black topplate	TBS50 F2-BT1	-

Output : PS/2 & USB Combo

50 mm VANDALPROOF TRACKBALL

• DIMENSIONAL DRAWING



Dim in mm

The company reserves the right to alter without prior knowledge the specification or design of any standard product or service.



NSI bvba, Haakstraat 1A, B-3740 Bilzen, Belgium
Tel. : ++32 (0) 89 51 90 00 Website : www.nsi-be.com
Fax : ++32 (0) 89 51 90 09 E-mail : info@nsi-be.com