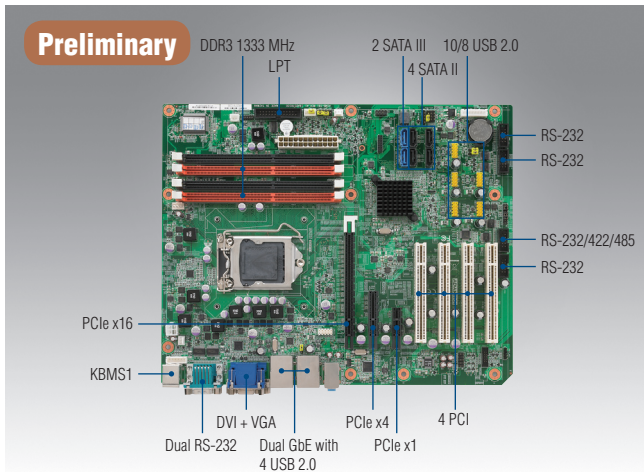


AIMB-781

LGA1155 Intel® Core™ i7/i5/i3/Pentium ATX with DVI/VGA, Dual Gigabit LAN, DDR3, SATA III



Features

- Supports Intel® Core™ i7/i5/i3/Pentium processor with Q67/B65 chipset
- Four DIMM sockets support up to 16 GB DDR3 1066/1333
- Supports dual display VGA and DVI and dual GbE LAN
- Supports SATA RAID 0, 1, 5, 10, AMT7.0, TPM 1.2 (optional)
- Supports embedded software APIs and utilities

Software APIs:



Utilities:



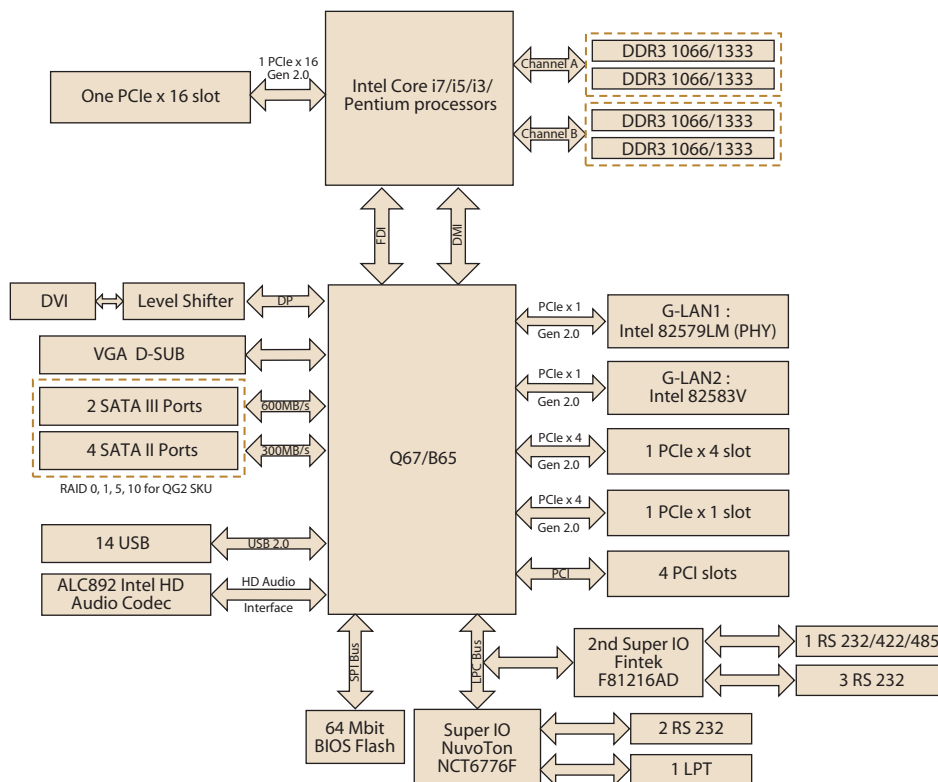
Note: eSOS needs ODM BIOS available by request



Specifications

Processor System	CPU	Core i7 2600	Core i5 2xxx	Core i3 2xxx
	Speed	3.4 GHz	3.3 GHz	3.3 GHz
	L3 Cache	8MB	6MB	3MB
	Socket	LGA1155		
	Chipset	Q67 for QG2 version; B65 for QVG version		
	BIOS	AMI 64 Mbit SPI		
Expansion Slot	PCI	32-bit/33 MHz, 4 slots		
	PCIe x 1 (Gen2)	500MB/s per direction, 1 slot		
	PCIe x 4 (Gen2)	2.0GB/s per direction, 1 slot		
Memory	Technology	Dual Channel DDR3 1066/1333		
	Max. Capacity	16 GB		
	Socket	4 x 240-pin DIMM		
Graphics	Controller	Intel HD Graphics		
	VRAM	1 GB maximum shared memory with 2 GB and above system memory installed		
Ethernet	Interface	10/100/1000 Mbps		
	Controller	GbE LAN1: Intel 82579LM, GbE LAN2: Intel 82583V for QG2 version		
	Connector	RJ-45 x 2 for G2 version		
SATA	Max Data Transfer Rate	600 MB/s		
	Channel	2 for QG2 version (SATA1-2); 1 for QVG version (SATA1)		
	Max Data Transfer Rate	300 MB/s		
Rear I/O	Channel	4 for QG2 version (SATA3-6); 5 for QVG version (SATA2-6)		
	VGA	1		
	DVI	1 for QG2 version		
	Ethernet	2 for QG2 version; 1 for QVG version		
	USB	4		
	Audio	2 (Mic-in, Line-out)		
	Serial	2 (RS-232)		
Internal Connectors	PS/2	2 (1 x keyboard and 1 x mouse)		
	USB	10 for QG2 version; 8 for QVG version (USB 2.0 compliant)		
	Serial	4 for QG2 (3 x RS-232, 1 x RS-232/422/485 with auto-flow control)		
	IDE	-		
	SATA	6 (QG2 version: SATA II x4 and SATA III x2; QVG version : SATA II x5 and SATA III x1)		
	Parallel	1		
Watchdog Timer	IrDA	1		
	DIO	-		
Power Requirement	Output	System reset		
	Interval	Programmable 1 ~ 255 sec/min		
	Power On	Intel Core i5 2400 3.1 GHz; DDR3 4 GB x 4		
Environment	Operating	3.3 V	5 V	12 V
	Non-Operating	1.02 A	2.89 A	5.88 A
Physical Characteristics	Temperature	0 ~ 60° C (32 ~ 140° F), depends on CPU speed and cooler solution		5 Vsb
	Dimensions	304.8 x 244 mm (12" x 9.6")		0.5 A

Board Diagram



Ordering Information

Part Number	Chipset	Memory	Display	USB	COM	GbE LAN	iAMT	SATA III	SW RAID
AIMB-781QG2-00A1E	Q67	Non-ECC	VGA + DVI	14	6	2	Yes	2	Yes
AIMB-781QVG-00A1E	B65	Non-ECC	VGA	12	2	1	None	1	None

Riser Card

Part Number	Description
AIMB-R4104-01A1E	1U riser card with 1 PCIe x4 expansion
AIMB-R430P-03A2E	2U riser card with 3 PCI expansion
AIMB-R4301-03A1E	2U riser card with 3 PCIe x1 expansion
AIMB-R431F-21A1E	2U riser card with 1 PCIe x16 & 2 PCIe x1 expansion
AIMB-R43PF-21A1E	2U riser card with 1 PCIe x16 & 2 PCI expansion

Packing List

Part Number	Description	Quantity
1700003194	SATA HDD cable	x 2
1703150102	SATA power cable	x 2
1960050472T000	I/O port bracket	x 1
2002078110	Startup manual	x 1
2062078100	Driver CD	x 1

Bracket View



AIMB-781QG2-00A1E



AIMB-781QVG-00A1E

Optional Accessories

Part Number	Description
1700002204	Dual port USB cable (27 cm) with bracket
1960047669N001	LGA1155/1156 CPU cooler for 4U and wallmount chassis
1700008809	Printer port cable kit
1701092300	COM port cable kit

Note: Purchasing AIMB-781's proprietary CPU cooler from Advantech is a must. Other brands' CPU coolers are NOT compatible with AIMB-781.