

HPPC 1920T

19" TFT SXGA 4:3 Flush Panel PC with Intel® Atom™ D525, 1.8GHz, PCT Touch Screen, 1GB DDR3, 4x USB, 2x COM and VGA



Main Features

- 4:3 19" Fanless Panel Computer
- Intel® Atom™ D525, Dual Core, Low-Power Consumption CPU
- PCT (Projected Capacitive Touch) Touch Screen
- Dual GbE/ 2nd display-VGA/ Line-out/ PS2 KB/MS
- 4x USB/ 2x mini-PCIe sockets/ 1x CF/ 2x RS232/422/485
- Optional Wi-Fi Module/ 2.5" HDD
- DDR3 1GB/ 2.5" HDD Bracket
- IP65 Compliant Front Panel
- Mounting Support: Stand/ VESA 75mm x 75mm, 100mm x 100mm
- Wide Range Power Input 12V~ 30V DC

Product Overview

Incorporated a 19" 4:3 touch screen LCD panel with resolutions up to 1280x 1024 (SXGA) and 250 nits brightness, the healthcare fanless Panel PC HPPC 1920T utilizes Atom™ D525 processor for medical applications. The Projected Capacitive Touch screen enhances users' interaction and offers smooth strokes on the touch panel. The HPPC 1920T Panel PC has 2GbE LAN, 2x COMs, 4x USB, PS2 KB/MS, and Line-out.

Specifications

Panel

- LCD Size: 19", 4:3
- Resolution: SXGA 1280x1024
- Luminance: 250 cd/m²
- Contrast ratio: 1000
- Viewing angle: 80(U), 80(D), 80(L), 80(R)
- Backlight: CCFL
- Touch screen: PCT (Projected Capacitive Touch)
- Touch interface: USB

System

- CPU: Intel® Atom™ D525, 1.8GHz
- BIOS: AMI BIOS
- System chipset: Intel® ICH8M
- System memory: 1x 204-pin DDR3 SO-DIMM socket, 1G DDR3 (Default),
- Support up to 2GB DDR3 800, Non-ECC and Un-buffered
- SSD: one external locked CF socket by IDE support Type I/II compactFlash card
- Hard drive bay: optional 2.5" SATA HDD or SATA DOM
- Watchdog timer: Watchdog timeout can be programmable by

software from 1 second to 255 seconds and from 1 minute to 255 minutes (tolerance 15% under room temperature 25°C)

- H/W status monitor: monitoring system temperature and voltage
- Expansion: 2x Mini-PCIe sockets
- NEXCOM Xcare™ platform system management supported

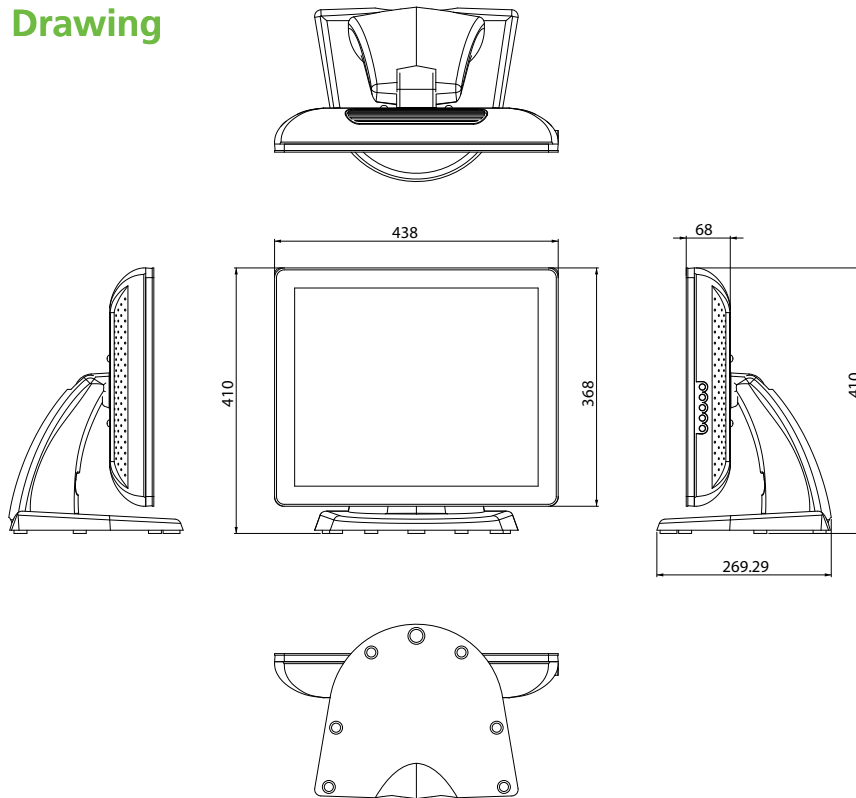
Rear I/O

- COM #1: RS232/422/485
- COM #2: RS232/422/485
- Ethernet: 2 x RJ45
- 2nd display VGA port: 1 x DB15
- Audio port: 1x Line out
- USB: 4x USB 2.0
- PS2 keyboard/ mouse
- Power switch
- Reset button

Audio

- AC97 codec: Realtek ALC888
- Audio interface: Line out Audio Jack

Dimension Drawing



Ethernet

- LAN chip: dual Intel® 82574L Gigabit LAN
- Ethernet interface: 10/100/1000 Based-Tx Ethernet compatible

Mechanical & Environment

- Mounting: panel/ wall/ stand/ VESA 75mm x 75mm, 100mm x 100mm
- Power input: 12V~ 30V DC
- Power adapter: optional AC to DC power adaptor (+12V, 60W)
- Vibration:
 - IEC 68 2-64 (w/ HDD)
 - 0.5Grms @sine, 5~500Hz, 1hr/axis (HDD operating)
 - 2.2Grms @ random condition, 5~500Hz, 0.5hr/axis (non-operating)
- Shock:
 - IEC 68 2-27
- HDD: 20G@wall mount, half sine, 11ms
- Operating temperature: 0°C to 45°C
- Storage temperature: -20°C to 75°C
- Operating humidity: 10% to 90% relative humidity, non-condensing

Ordering Information

Barebone

- **HPPC 1920T (P/N: TBD)**
19" TFT Panel PC with Intel® Atom™ D525 1.8 GHz, touch screen, 1GB DDR3, COM #1/ #2