

NDiS 102

Digital Signage Player Powered by ARM Cortex-A8 RISC Processor



Main Features

- On board Cortex-A8 SOC
- Full HD video support
- Fanless and slim design
- Dual HDMI output
- Mini-PCIe slot support WiFi module

Product Overview

Powered by ARM Cortex-A8 RISC MPU, NDiS 102 can play rich multi-media contents with low power consumption. NDiS 102 is enclosed in a compact chassis and can be easily integrated to display devices, such as LCD TV or PDP at site installation with dual HDMI display output, Giga LAN and WLAN support. NDiS 102 is suitable as an entry level digital signage player for advertising, messaging, and brand promotion.

Specifications

Processor

- On board TI DM8148 1GHz ARM Cortex-A8 RISC MPU Up to 750-MHz c674x VLIM DSP

Memory

- Support DDR3-1333 1GB memory on board

Multi-Media

- Support SGX530 Graphic Accelerator
- Codec Engine: HDVICP2
- Media Format Support: MPEG1/2/4 ASP/SP, H.264 BL/MP/HP, VC-1 SP/MP/AP, RV9/10, AVS-1.0 and ON2 VP6.2/VP7

I/O Interface-Front

- Power Button
- Power/HDD LED
- miniPCIe LED

I/O Interface-Rear

- 2 x HDMI
- 2 x USB2.0
- 1 x RJ45 with LED, Gigabit LAN port
- 1 x RJ45 for RS232
- +12V DC-in
- 1 x Line-in
- 1 x Line-out

Storage

- 1 x SATA 3.0 connector
- 1 x 4-pin + 1 x 2 pin SATA power connector
- 1 x microSD socket

Serial Port

- 2 x COM port pin header

USB

- 1 x USB pin header

Connectivity

- One Internal accessible SIM card slot for WWAN

Expansion

- Mini-PCIe x1, support Wireless LAN module

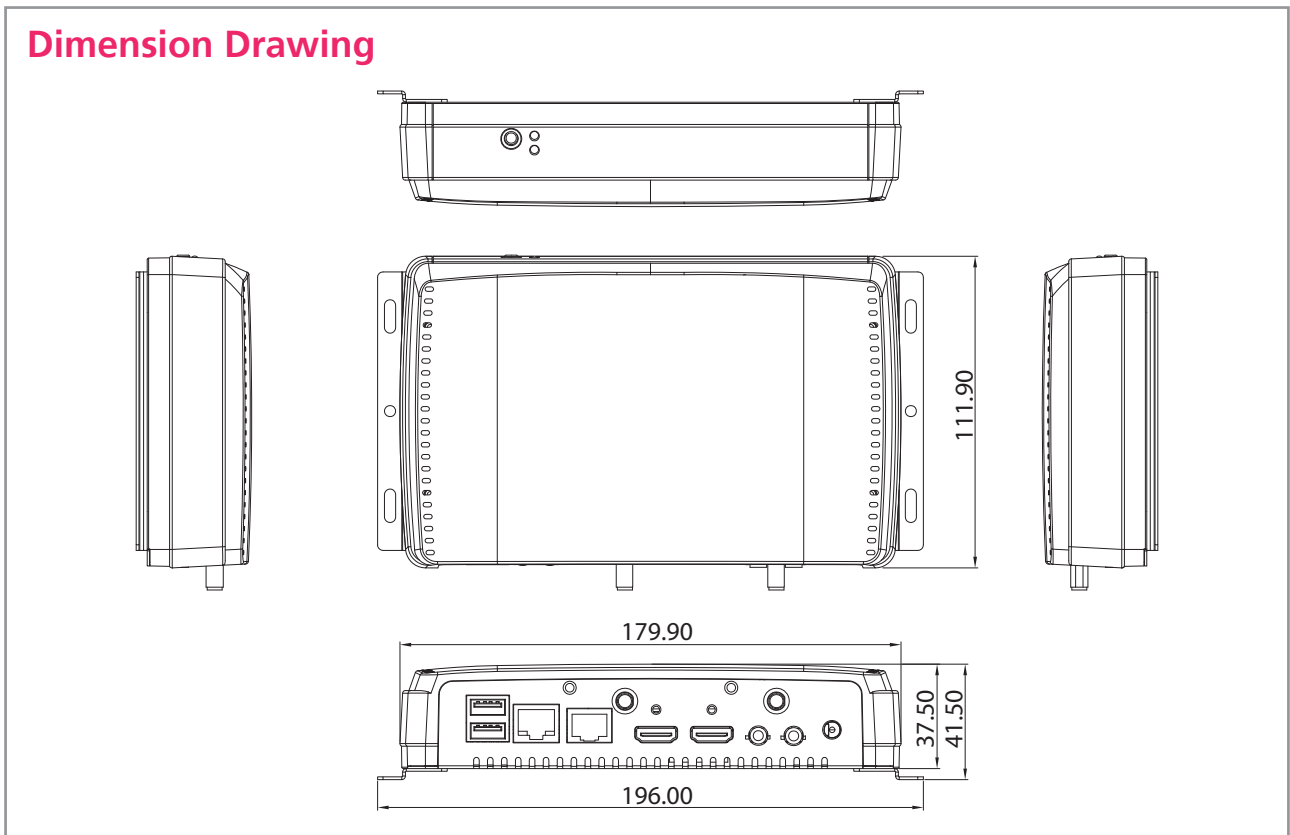
Dimension

- 179.9mm (W) x 114.9mm (D) x 37.5mm (H) w/o mounting bracket

Environment

- Operating temperature: ambient with air flow from 0°C to 40°C
- Storage temperature: -20°C to 80°C
- Humidity: 10 to 90% (non-condensing)

Dimension Drawing



Certification

- CE approval
- FCC Class A

Operating System

- Linux 2.6.x

Ordering Information

- **ND1S 102 (P/N: 10W00010200X0)**

TI DM8148 1GHz Cortex-A8 RISC System, BSP included