

NISE 3640VR

3rd Generation Intel® Core™ i7 System with
2x 3.5" SATA HDD, 4x LAN, and 3 Independent Display



Main Features

- OnBoard 3rd generation Intel® Core™ i7 BGA processor
 - Mobile Intel® QM77 PCH
 - Support 2x 3.5" SATA HDD
 - 2x Display Port; 1x VGA; 1x DVI-D
 - 4x Intel® 82574IT GbE LAN ports; Support WoL, teaming and PXE
 - 2x USB3.0; 2x USB2.0
 - 2x DB9 for RS232/422/485; 1x DB44 Serial Port for 4x RS232
 - 1x internal Mini-PCIe socket supports optional Wifi or 3.5G module
 - 1x CFast socket; 1xSIM card socket
 - Support +24VDC input; Support ATX Power mode
 - Support 2x 3.5" HDD
- * Note: Air ventilation holes design will be defined as product launch

Product Overview

NISE 3640VR features the 3rd Generation Intel® Core™ i7 17W BGA type processor with QM77 PCH platform. NISE 3640VR inherits high performance, rich I/O, fanless and cable-free design from NISE family which successful meets market demands.

NISE 3640VR designed with 4x Intel® 82574IT GbE LAN controller, which can support up to 4 cameras and better throughput; also, NISE 3640VR , supports WoL, LAN teaming and PXE function. Moreover, NISE 3640VR delivers a level of performance ideal for image and vision measurement on traffic control, overspeed monitoring, real time update and ePolice. NISE 3640VR supports 2x 3.5" HDD w/ ventilation holes on panels for HDD cooling design, 2x USB3.0, 2x USB2.0, 2x Display port, 1x VGA, 1x DVI-D, 2x RS232/422/485 and 4x RS232. Leveraging a reliable fanless and durable cable-free design in aluminum chassis, NISE 3640VR can be exhibited in harsh environments, where severe temperature variation and vibration may exist.

Specifications

CPU Support

- OnBoard 3rd generation Intel® Core™ i7 BGA processor Core™ i7-3517UE, Dual Core, 1.7GHz, 6M Cache
- Mobile Intel® QM77 PCH

Main Memory

- 2x DDR3 SO-DIMM socket, supports up to 8GB DDR3/DDR3L 1333/1600 SDRAM, with un-buffered and non-ECC

Display Option

- Three Independent Display (only support on 3rd Generation Processor)
 - Two Display Port and 1x VGA
 - Two Display Port and 1x DVI-D
- Dual Independent Display
 - VGA and DVI-D
 - Display Port and VGA

I/O Interface-Front

- ATX power on/off switch
- HDD access/ Power status/ LAN status LEDs
- 2x USB3.0 (Blue color)
- 2x USB2.0

- 2x Display Port (Can be converted to DVI-D or HDMI via active cables)
- 1x CFast socket
- 1x SIM card socket
- 2x Antenna holes

I/O Interface-Rear

- 2x DB9 for RS232/422/485
- 1x DB44 for 4x RS232
- 4x Intel® 82574IT GbE LAN ports; Support WoL, teaming and PXE
- 1x DB15 VGA port
- 1x DVI-D
- 1x Line out and 1x Mic-in
- 2-pin Remote Power on/off switch
- +24VDC Input

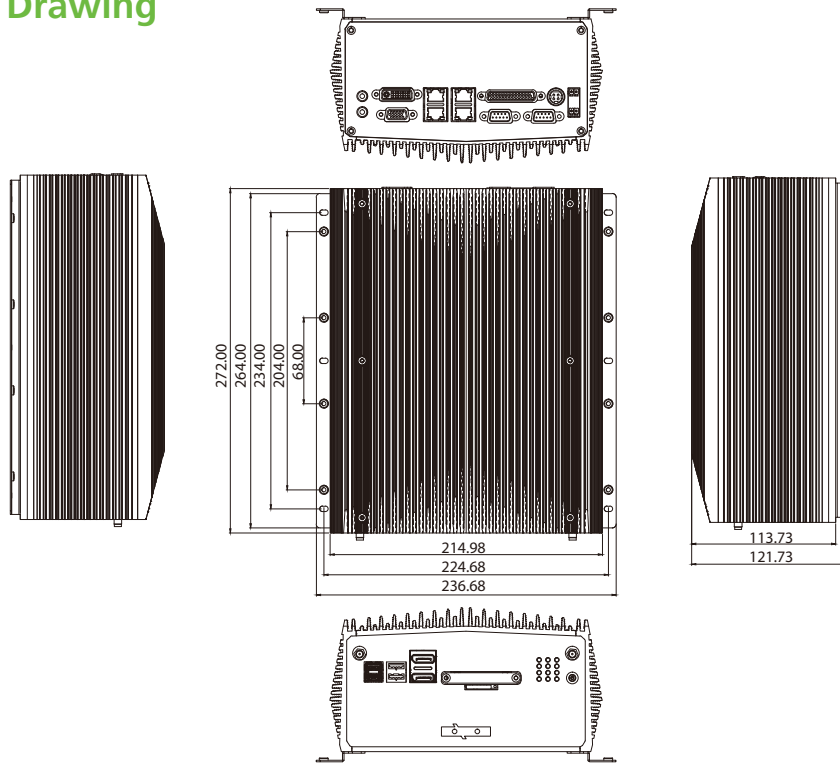
Storage Device

- 2x 3.5" SATA HDD
- 1x CFast socket

Expansion Slot

- 1x Mini-PCIe socket (support optional WiFi or 3.5G module)

Dimension Drawing



Power Requirements

- ATX Power mode
- Support +24VDC Input
- Optional power adapter

Dimensions

- To be defined

Construction

- Aluminum Chassis with fanless design
- Ventilation holes on panels for HDD cooling design

Environment

- Operating temperature:
Ambient with air flow: -5°C to 55°C
(According to IEC60068-2-1, IEC60068-2-2, IEC60068-2-14)
- Storage temperature: -20°C to 80°C
- Relative humidity: 95% at 40 °C
- Shock protection:
 - HDD: 20G, half sine, 11ms, IEC60068-2-27
 - CFast: 50G, half sine, 11ms, IEC60068-2-27
- Vibration protection w/ HDD Condition
 - Random: 0.5Grms @ 5~500 Hz according to IEC60068-2-64
 - Sinusoidal: 0.5Grms @ 5~500 Hz according to IEC60068-2-6

Certifications

- CE approval
- FCC Class A

Ordering Information

Barebone

- **NISE 3640VR (P/N: TBD)**
3rd Generation Intel® Core™ i7 System with 2x 3.5" SATA HDD