

OFC

Open Frame Computer

OFC-7615/7617/7619

High Performance Open Frame Computer

Features and Benefits:

- Support Intel® Core™ Duo / Core™ solo / Core™ 2 Duo / Celeron® M processor
- Supports Intel® 945GME + ICH7R Chipset
- On-board IDE interface, Type II Compact Flash slot
- Optional slim SATA CD-ROM drive



Protech Systems Co., Ltd.

No. 24, Lane 365, Yang Goang Street, Nei Hu District Taipei 114, Taiwan
TEL: +886-2-8751-1111 FAX: +886-2-8751-1199
E-mail: sales@protech.com.tw
<http://www.protech.com.tw>

Protech Technologies Inc.

950 Fee Ana St, Suite B Placentia, CA 92870
TEL: +1-714-996-7200 FAX: +1-714-996-7300
Sales: sales@protech-usa.net
<http://www.protech-usa.net>

Protech Japan Co., Ltd.

OSK Bldg, 6F, 6-25-14, Minami-ohi Shinagawa-ku, Tokyo, 140-0013
TEL: +81-3-5753-8411 FAX: +81-3-3763-9282
E-mail: sam@protech-j.com
<http://www.protech-j.com>

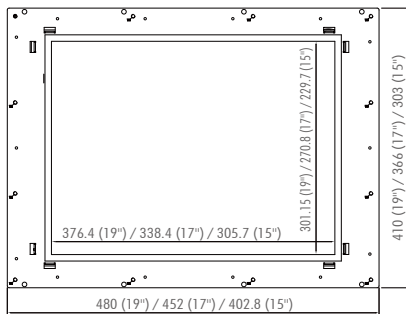


ISO CERTIFIED
9001 | 14001

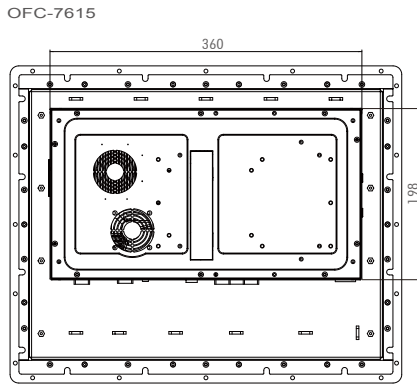
OFC-7615 / OFC-7617 / OFC-7619

High Performance Open Frame Computer

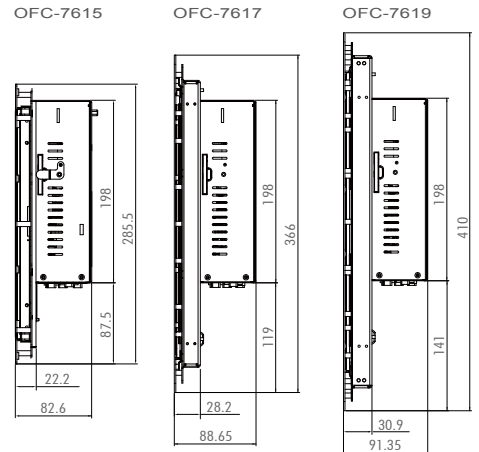
Front View



Rear View



Side View



Unit: mm

Specification

Systems	
CPU Support	Intel® Core™ Duo/ Core Solo / Core 2 Duo / Celeron M processor
Chipset	Intel® 945GME + ICH7R + FWH (FSB: 533/667MHz)
Memory Support	2 x 200-pin DDR2 SO-DIMM
Max. System Memory	4GB
Front Bezel	Stainless Steel
Open Frame	YES
Waterproof Level	IP65
Sound	AC'97 Codec
Power Supply	AC ATX 180W power supply
Construction	Electro Galvanized Steel chassis
Wall Mount Type	VESA standard
Dimension (W x H x D)	15": 402 x 300 x 82mm 17": 452 x 366 x 88.6mm 19": 480 x 410 x 91.5mm
System Weight	15": 6.6 Kg / 17": 8.4Kg / 19": 10.2 Kg
Certificate	CE / FCC

I/O Ports

USB	4 x USB2.0
KB / Mouse	2 x PS/2 Port
Audio	1 x Line in, 1 x Line out, 1 x MIC in
Serial Port	4 x COM port (COM 1/3/4 for RS232, COM 2 for RS232 / 422 / 485, COM 3/4 support +5V, +12V Selectable)
LAN	1 x LAN (10/100/1000 Mbps)
VGA	1 x VGA

Drive Bays	2 x 2.5" SATA HDD, 1 x IDE CF slot on board, 1 x Slim CD-ROM
Expansion Slots	1 x PCIE slots, 1 x MiniPCI

Display

LCD	15" (XGA) / 17" (SXGA) / 19" (SXGA)
Touch Screen	5W Analog resistive (USB interface)
Max. Resolution	1024 x 768 (15") / 1280 x 1024 (17", 19")
Pixel Pitch	0.297 x 0.297 (15") / 0.264 x 0.264 (17") / 0.294 x 0.294 (19")
Brightness	350 cd/m ² (15") / 300 cd/m ² (17", 19")
Response Time (Tr + Td)	15": 16 ms / 17": 12 ms / 19": 20 ms

Environment

Operating Temp.	0° ~ 40°C
Storage Temp.	-20° ~ 60°C
Humidity	20% ~ 90%

Ordering Information

OFC-7615	Open Frame, Intel® Core Duo / Core solo / Core 2 Duo / Celeron M CPU + 945GME + ICH7R , w/AUO 15" 1024 x 768 LCD / 5-Wire ELO Touch
OFC-7617	Open Frame, Intel® Core Duo / Core solo / Core 2 Duo / Celeron M CPU + 945GME + ICH7R , w/AUO 15" 1280 x 1024 LCD / 5-Wire ELO Touch
OFC-7619	Open Frame, Intel® Core Duo / Core solo / Core 2 Duo / Celeron M CPU + 945GME + ICH7R , w/AUO 15" 1280 x 1024 LCD / 5-Wire ELO Touch
PPC7915-WirelessLan-KIT	Wireless LAN module

All of trademarks and brand names are the property of their owners. Trademark "Protech" is the property of Protech Systems Co., Ltd. All information contained in this document is subject to change without any prior notice. This catalog is copyrighted in Nov. 2009.