

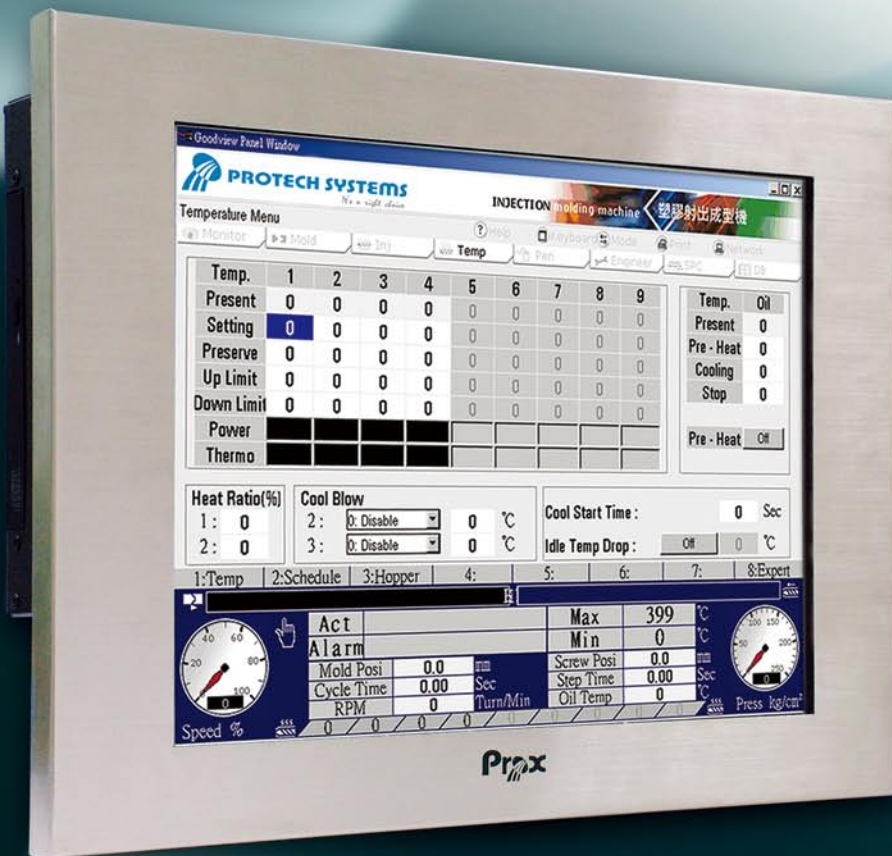
PPC

PPC-7615/7617/7619

High Performance Panel PC

Features and Benefits:

- Support Intel® Core™ Duo / Core™ solo / Core™ 2 Duo / Celeron® M processor
- Supports Intel® 945GME + ICH7R Chipset
- On-board IDE interface, Type II Compact Flash slot
- Optional slim SATA CD-ROM drive
- Stainless steel front bezel



Protech Systems Co., Ltd.

No. 24, Lane 365, Yang Goang Street, Nei Hu District Taipei 114, Taiwan
 TEL: +886-2-8751-1111 FAX: +886-2-8751-1199
 E-mail: sales@protech.com.tw
<http://www.protech.com.tw>

Protech Technologies Inc.

950 Fee Ana St, Suite B Placentia, CA 92870
 TEL: +1-714- 996-7200 FAX: +1-714- 996-7300
 Sales: sales@protech-usa.net
<http://www.protech-usa.net>

Protech Japan Co., Ltd.

OSK Bldg, 6F, 6-25-14, Minami-ohi Shinagawa-ku, Tokyo, 140-0013
 TEL: +81-3-5753-8411 FAX: +81-3-3763-9282
 E-mail: sam@protech-j.com
<http://www.protech-j.com>

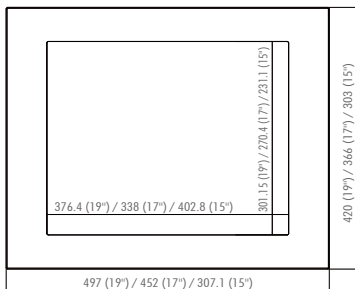


ISO CERTIFIED
9001 | 14001

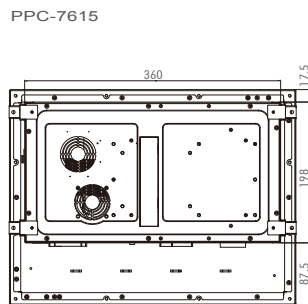
PPC-7615 / PPC-7617 / PPC-7619

High Performance Panel PC

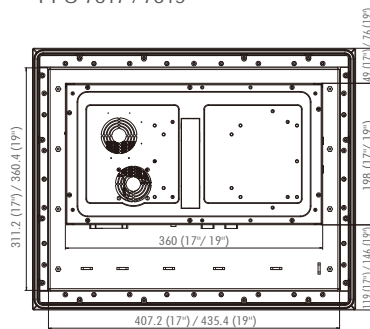
Front View



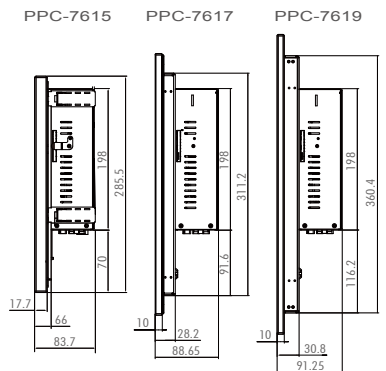
Rear View



PPC-7617 / 7619



Side View



Unit: mm

Specification

Systems

CPU Support	Intel® Core™ Duo/ Core Solo / Core 2 Duo / Celeron M processor
Chipset	Intel® 945GME + ICH7R + FWH (FSB: 533/667MHz)
Memory Support	2 x 200-pin DDR2 SO-DIMM
Max. System Memory	4GB
Front Bezel	Stainless Steel
Open Frame	YES
Waterproof Level	IP65
Sound	AC' 97 Codec
Power Supply	AC ATX 180W power supply
Construction	Electro Galvanized Steel chassis
Wall Mount Type	VESA standard
Dimension (W x H x D)	15": 403 x 303 x 84mm 17": 452 x 366 x 89.3mm 19": 497 x 420 x 91.5mm
System Weight	15": 7.3 Kg / 17": 9.5Kg / 19": 11.5 Kg
Certificate	CE / FCC

I/O Ports

USB	4 x USB2.0
KB / Mouse	2 x PS/2 Port
Audio	1 x Line in, 1 x Line out, 1 x MIC in

Serial Port

4 x COM port (COM 1/3/4 for RS232, COM 2 for RS232 / 422 / 485, COM 3/4 support +5V, +12V Selectable)

LAN

1 x LAN (10/100/1000 Mbps)

VGA

1 x VGA

Drive Bays

2 x 2.5" SATA HDD, 1 x IDE CF slot on board, 1 x Slim CD-ROM

Expansion Slots

1 x PCIE slots, 1 x MiniPCI

Display

LCD 15" (XGA) / 17" (SXGA) / 19" (SXGA)

Touch Screen 5W Analog resistive (USB interface)

Max. Resolution 1024 x 768 (15") / 1280 x 1024 (17", 19")

Pixel Pitch 0.297 x 0.297 (15") / 0.264 x 0.264 (17") / 0.294 x 0.294 (19")

Brightness 350 cd/m² (15") / 300 cd/m² (17", 19")

Response Time (Tr + Td) 15": 16 ms / 17": 12 ms / 19": 20 ms

Environment

Operating Temp. 0° ~ 40°C

Storage Temp. -20° ~ 60°C

Humidity 20% ~ 90%

All of trademarks and brand names are the property of their owners. Trademark "Protech" is the property of Protech Systems Co., Ltd. All information contained in this document is subject to change without any prior notice. This catalog is copyrighted in Sep. 2009.