

50 mm TRACKBALL UNITS

FOR HARSH ENVIRONMENT

Sealing IP65 (static), PS/2 or USB output

The TBL50 series is a ruggedised professional trackball. The unit has been specially designed for harsh industrial environment applications : the **self-adjusting PTFE seal** of the trackball guarantees an IP65 protection grade. This trackball has a large diameter ball, which make this unit the ideal solution for all applications where accurate pointer control is required. Carrier plates and housing are metal (aluminium and steel).

PANEL MOUNT (incl. Alu carrier plate, electronics and cable)

Intended for front panel mounting into users' cabinet or panel with a minimum of required space and mounting depth. Operation of the trackball is possible at **all angles**, from horizontal to vertical mounting position. The electronic parts on the backside are protected by a metal cover. A neoprene seal which can be fitted between the carrier and the customers panel, is delivered with each unit.



TBL50F1

dim. : 108x192x45 mm.
weight : 0,6 kg.



ENCLOSED

The TBL50S1 combines a large diameter ball and a steel enclosure. The "dots" on the front are not functional but contribute to the stylish look of the product.

TBL50S1

dim. : 118x204x60 mm.
weight : 1 kg.

• SPECIFICATIONS

Enclosure	Steel, pearl white finish	Shielded Cable	straight 1,6m long
Carrier plate	Aluminium	Protection class	IP65 static
Ball colour	Black	Operating temperature range	-10°C to +60°C
Ball diameter	50,8 mm	Storage temperature range	-25°C to +85°C
Ball material	Phenolic Resin	CE	compliant to EMC Directive 89/336/EEC for Electromagnetic Compatibility Low Voltage Directive 73/23/EEC not applicable for our trackballs.
Resolution	155 pulses per ball revolution		
Tracking force	nom. 50 grams		
Lifetime	> 2 million ball revolutions		
Switches	Short travel switches, approx 1,4N		

• CONNECTIVITY

The PS/2 and the USB versions are supplied with a 1,6m long, shielded straight cable ended with a PS/2 or USB type A plug. No device driver is supplied with the unit. Please use standard available drivers in your operating system.

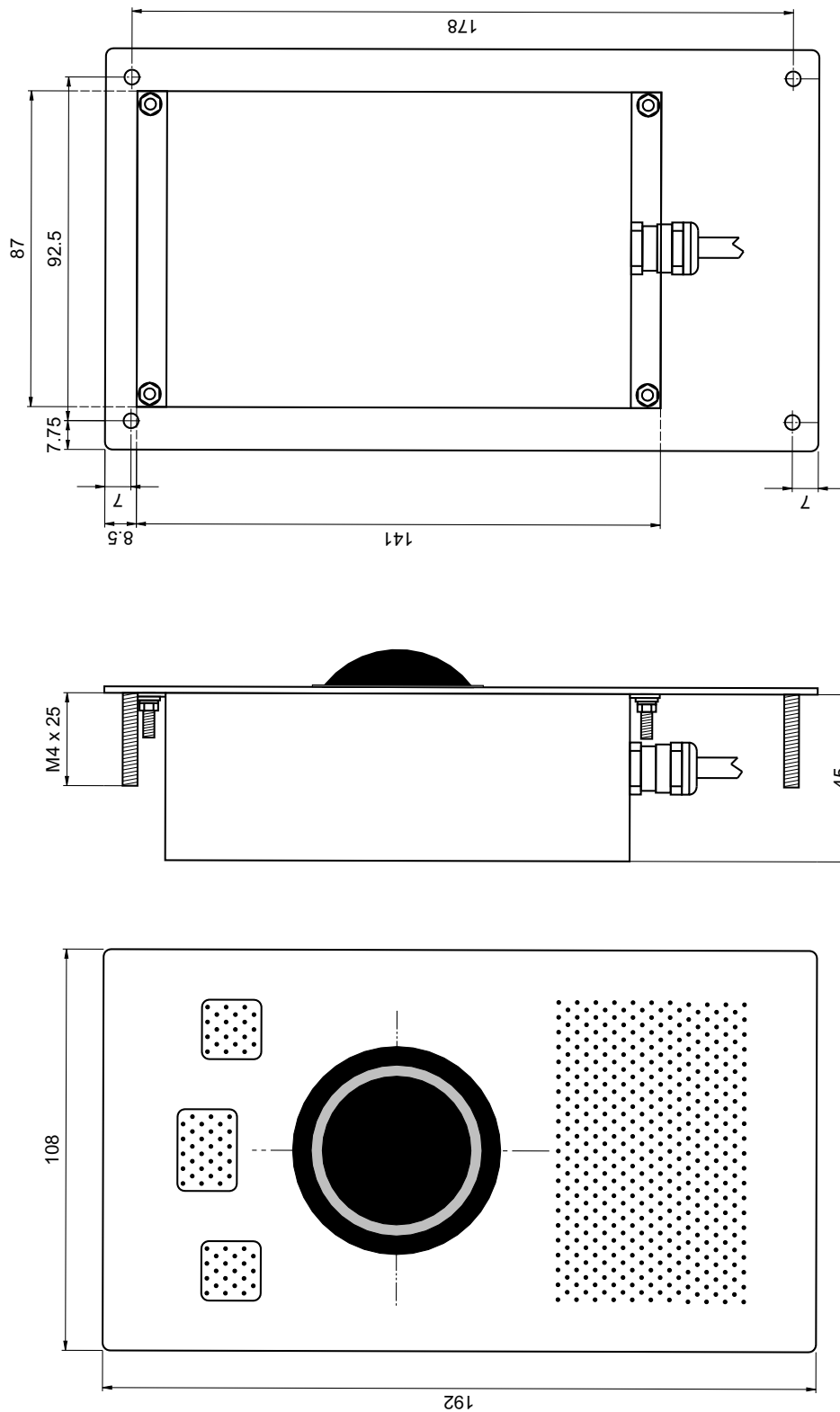
* Due to the increasing differences of the PS/2 mouse port specifications of the various PC manufacturers, we do recommend that this unit should be tested on the final PC configuration and operating system prior to installing it in series.

• ORDERING INFO

Protocol	Panel mount	Enclosed
PS/2	TBL50F1PS2	TBL50S1PS2
USB	TBL50F1USB	TBL50S1USB

50 mm TRACKBALL UNIT

• DIMENSIONAL DRAWING



Dim in mm

The company reserves the right to alter without prior knowledge the specification or design of any standard product or service.



NSI bvba, Haakstraat 1A, B-3740 Bilzen, Belgium
Tel. : ++32 (0) 89 51 90 00 Website : www.nsi-be.com
Fax : ++32 (0) 89 51 90 09 E-mail : info@nsi-be.com