

SUPER COMPACT 25 mm VANDALPROOF TRACKBALLS

black or stainless steel ball
IP65 sealed (static)

This range uses the compact 25mm industrial grade trackball with black phenolic ball (TBS25 series) or with stainless steel ball (SBS25 series). Furtheron, the unit features a stainless steel carrier plate, a stainless steel top flange protecting the trackball sealing and two stainless steel, sealed switches. A silicone sponge which seals the unit onto the customers' panel is part of the supply.

Its compact dimensions make these trackball units ideally suited for all harsh industrial applications, kiosk consoles, navigation controls, etc... where minimal mounting space is required while maintaining excellent vandalproof and good sealing characteristics.



TBS25F2
dim : 82 x 67 x 25 mm
weight : 0,2 kg



SBS25F2
dim : 82 x 67 x 25 mm
weight : 0,25 kg

• SPECIFICATIONS

Carrier plate : brushed stainless steel (AISI 316)
Ball diameter : 25 mm
Ball material : phenolic resin with metal core (TBS25F2)
stainless steel AISI 440 (SBS25F2)
Trackball sealing : IP65 static
Resolution : 155 pulses per ball revolution
Tracking force : nom. 50 grams (TBS25F2)
nom. 65 grams (SBS25F2)
Lifetime : >= 2 million ball revolutions
Cable : shielded, straight 1,6 m long
Operating temperature range : -10°C to +60°C
Storage temperature range : -25°C to +80°C

Push button switches

Sealing : IP65
Material : stainless steel, brushed
Mechanical life : 1 mil. cycles min
Contacts : gold plated
Travel : 1,3mm
Operating force : 4N typ
Initial contact resistance : 50mOhms max
Operating temperature : -20°C to +60°C

CE : compliant to EMC Directive 89/336/EEC for Electromagnetic Compatibility. Low Voltage Directive 73/23/EEC not applicable for our trackballs.

• CONNECTIVITY

This combo PS/2 & USB trackball unit has a 1,6 meter long shielded straight cable ended by a PS/2 plug. An adaptor to USB type A is added. No special device driver is needed, use standard available drivers of your operating system.

* Due to the increasing differences of the PS/2 mouse port specifications of the various PC manufacturers, we do recommend that this unit should be tested on the final PC configuration and operating system prior to installing it in series.

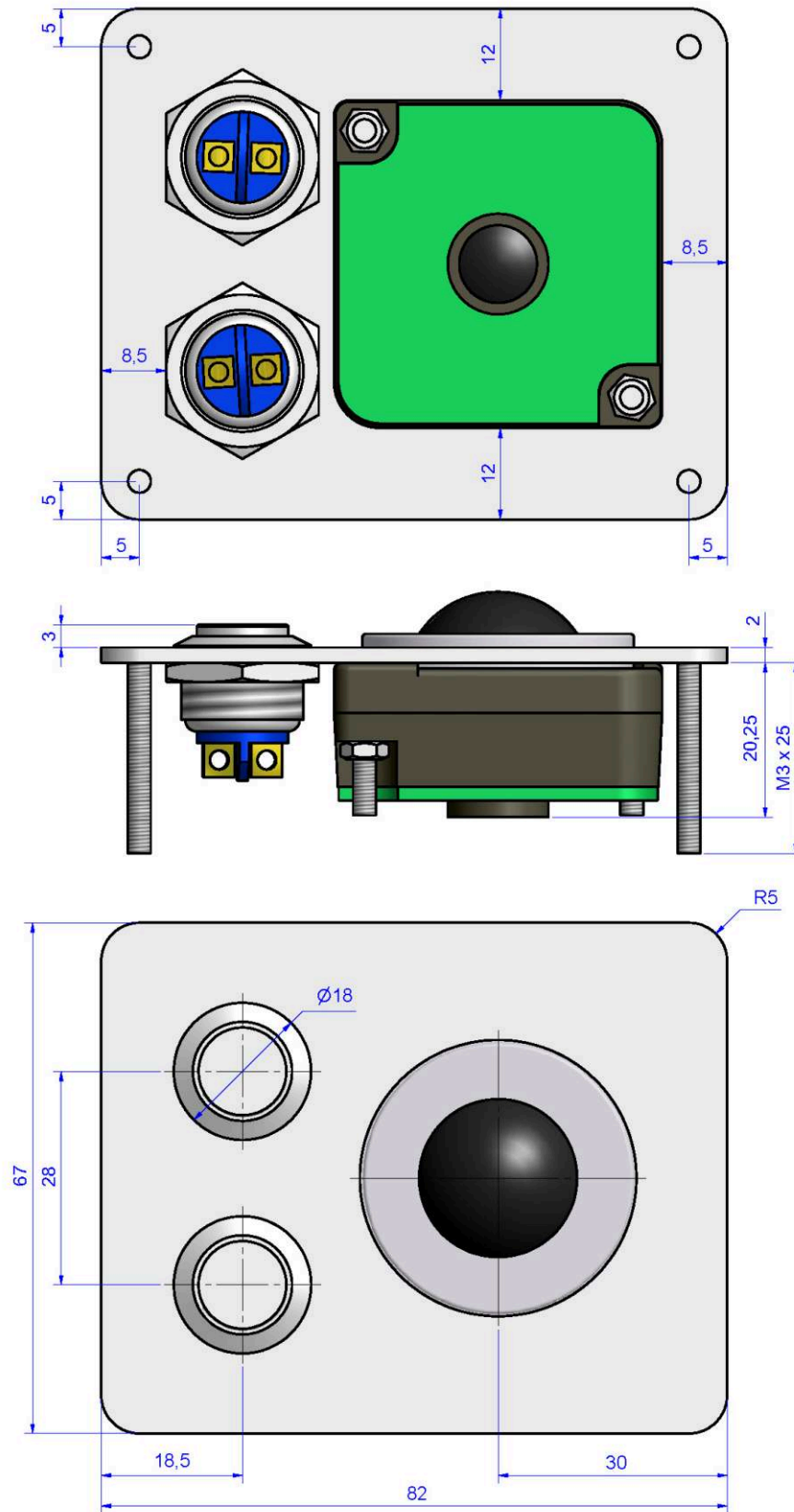
• ORDERING INFO

Phenolic Resin Ball	Stainless Steel Ball
TBS25 F2	SBS25 F2

Output : PS/2 & USB Combo

SUPER COMPACT 25 mm VANDALPROOF TRACKBALLS

• DIMENSIONAL DRAWING



Dim in mm

The company reserves the right to alter without prior knowledge the specification or design of any standard product or service.



NSI bvba, Haakstraat 1A, B-3740 Bilzen, Belgium
 Tel. : ++32 (0) 89 51 90 00 Website : www.nsi-be.com
 Fax : ++32 (0) 89 51 90 09 E-mail : info@nsi-be.com