

TPC-1261H

12.1" SVGA TFT LCD Geode™ LX800 Touch Panel Computer



Introduction

With a high quality TFT LCD display, TPC-1261H is designed with the AMD LX800 processor as its core. The LX800 has low power consumption and 500 MHz operating frequency. This system is fanless although the kernel is powerful. In addition, spindle-free storage makes the TPC-1261H a durable and reliable platform.

For applications where spindle-free storage is not critical, a fast-access HDD module can be used. It also provides a PCI-104 expansion slot for TPC-1261H-A1E.

Specifications

General

- **BIOS** Award® 4 MB
- **Certifications** BSMI, CCC, CE, FCC, UL
- **Cooling System** Fanless design
- **Dimensions (W x H x D)** 311 x 237 x 56 mm (12.24" x 9.33" x 2.2")
- **Enclosure** Front bezel: Al-Mg
Back housing: ABS
- **Mounting** Desktop, Wall or Panel Mount
- **OS Support** Windows XP/CE and WinXPe
- **Power Consumption** 36 W (typical)
- **Power Input** 18 ~ 32 V_{DC}
- **Watchdog Timer** 1 sec (system)
- **Weight (Net)** 2.2 kg (4.85 lb)

System Hardware

- **CPU** AMD LX800 500 MHz
- **Expansion Slots** 1 x CompactFlash® slot
1 x PCI-104
- **Graphics Controller** AMD LX800 (Internal)
- **Keyboard/Mouse Ports** 1 x PS/2
- **LAN** 1 x 10/100Base-T
- **Memory** 512 MB DDR SDRAM (up to 1 GB DDR SDRAM)
- **Parallel Ports** 1 x Parallel Port
- **Serial Ports** 3 x RS-232 (COM1, 2, 3)
1 x RS-232/485/422 (COM4)
- **Storage** 1 x 2.5" PATA HDD (optional)
- **USB Ports** 2 x USB 2.0

Features

- AMD Geode™ LX800 processor on board
- 12.1" SVGA TFT LCD
- Super slim and compact design
- Fanless cooling system
- NEMA4/IP65 compliant front panel
- Supports Microsoft® Windows® XP/CE and WinXPe
- Automatic data flow control RS-485

LCD Display

- **Backlight Life** 50,000 hrs
- **Contrast Ratio** 300 : 1
- **Display Size** 12.1"
- **Display Type** SVGA TFT LCD
- **Luminance cd/m²** 340
- **Max. Colors** 262 K
- **Max. Resolution** 800 x 600
- **Viewing Angle (H/V°)** 100/60

Touchscreen

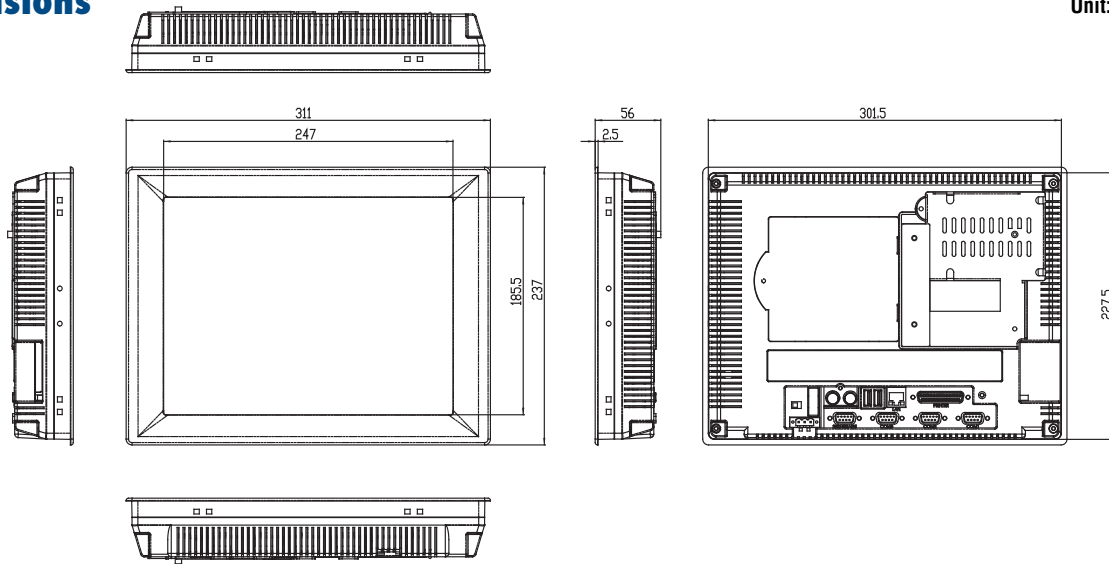
- **Lifespan** 1 million touches at single point
- **Light Transmission** Above 75%
- **Resolution** Linearity
- **Type** 8-wire, analog resistive

Environment

- **Humidity** 10 ~ 95% RH @ 40° C, non-condensing
- **Ingress Protection** Front panel: NEMA4, IP65
- **Operating Temperature** 0 ~ 50° C (32 ~ 122° F)
- **Storage Temperature** -20 ~ 60° C (-4 ~ 140° F)
- **Vibration Protection** With HDD: 1 grms (5 ~ 500 Hz)
(Operating, random vibration)

Dimensions

Unit: mm



Panel Cut-out Dimensions: 302.5 x 228.5 mm

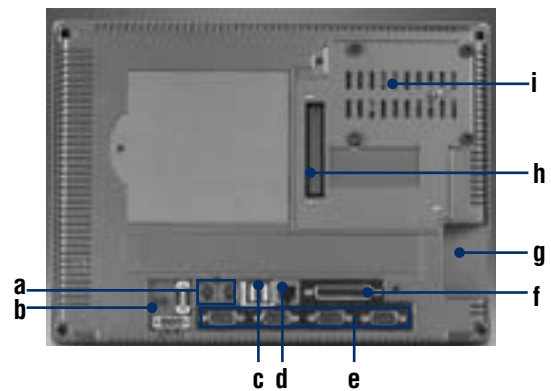
Ordering Information

- **TPC-1261H-A1CE** 12.1" TFT LCD Display TPC with AMD LX800 500 MHz CPU and 512 MB DDR SDRAM

Accessories

- **TPC-1261H-SMKE** TPC-1261H Desktop Stand
- **TPC-1261H-WMKE** TPC-1261H Wallmount Kit
- **TPC-1270H-EPKE** TPC Series PC/PCI-104 Extension Kit
- **PWR-247-AE** 24 V 50 W AC-DC Power Adapter

Rear View



- a. PS/2
- b. Power Switch, Fuse (3.15A), Power Receptor
- c. USB 2.0
- d. Ethernet Port (10/100)
- e. Serial Ports (COM4, COM3, COM2, COM1)
- f. Parallel Port
- g. CompactFlash
- h. PCI-104
- i. 2.5" PATA HDD Cover