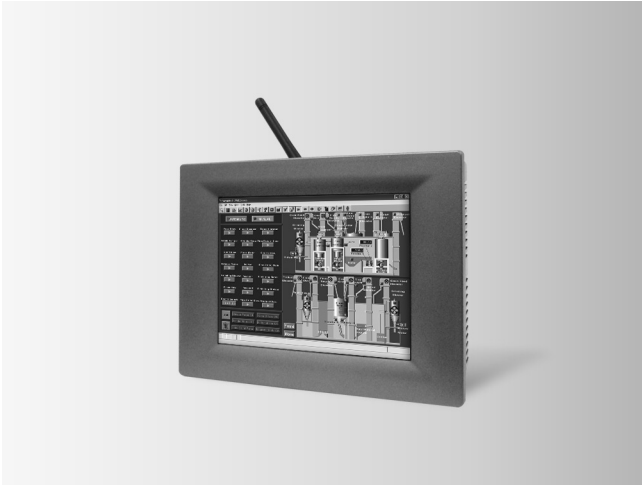


TPC-671H

6.5" VGA LED LCD Intel® Atom™ Z510 Touch Panel Computer



Features

- Intel® Atom™ processor up to 1.1 GHz
- 6.5" VGA TFT LCD
- Super slim and compact design with ABS+PC housing
- Fanless cooling system
- NEMA4/IP65 compliant front panel
- Full-size Mini PCIe expansion support
- Serial port isolation protection
- Automatic data flow control RS-485
- Gigabit Ethernet supported
- Supports Microsoft® Windows® 7/ XP/ WES / WEC

Introduction

With a high quality TFT LCD display, TPC-671H is designed with the Intel® Atom™ Z510 processor as its core. The Intel® Atom™ has low power consumption and 1.1 GHz operating frequency. This system is fanless although the kernel is powerful. In addition, spindle-free storage makes the TPC-671H a durable and reliable platform. Supports Mini-PCIe expansion to bundle with IoT-Ready and Communication module to meet more applications in outdoor and iTerminal Gateway.

Specifications

General

- **BIOS** Award
- **Certifications** BSMI, CCC, CE, FCC Class A, UL
- **Cooling System** Fanless design
- **Dimensions (W x H x D)** 195 x 148 x 44.5 mm (7.68" x 5.83" x 1.75")
- **Enclosure** ABS + PC
- **Mounting** Desktop, Wall or Panel Mount
- **OS Support** Microsoft® Windows® 7/ XP/ WES / WEC*
- **Power Consumption** 6.6W (Typical), 9W (Full load)
- **Power Input** 18~32 V_{DC}
- **Watchdog Timer** 1 ~ 255 sec (system)
- **Weight (Net)** 0.95 kg(2.1 lbs)

System Hardware

- **CPU** Intel® Atom™ Z510 1.1GHz with 512KB cache
- **Chipset** US15WP
- **Memory** 1GB SO-DIMM DDR2 SDRAM
- **LAN** 10/100/1000Base-T x 1
- **Expansion Slots** Full-size Mini PCI-E
- **Storage** CompactFlash® slot x 1
- **I/O** RS-232 x 1 (COM1)
RS-422/485 x 1 (COM2) with isolation and auto data flow control
USB 2.0/1.1 x 2 (Host)

LCD Display

- **Display Type** VGA TFT LCD
- **Display Size** 6.5"
- **Max. Resolution** 640 x 480
- **Max. Colors** 262 K
- **Luminance cd/m²** 700
- **Viewing Angle (H/V°)** 160/140
- **Backlight Life** 50,000 hrs
- **Contrast Ratio** 600 : 1

Touchscreen

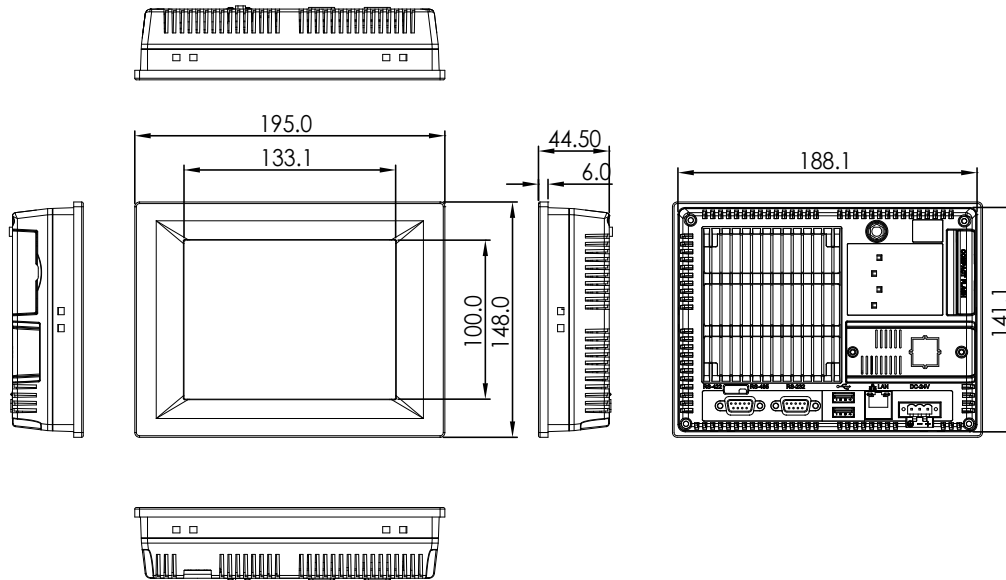
- **Lifespan** 36 millions times touches at single point (finger hitting rate by 250g at 2 times per second)
- **Light Transmission** Above 75%
- **Resolution** Linearity
- **Type** 5-wire, analog resistive

Environment

- **Humidity** 10 ~ 95% RH @ 40°C, non-condensing
- **Ingress Protection** Front panel: NEMA4, IP65
- **Operating Temperature** 0 ~ 50°C (32 ~ 122°F)
- **Storage Temperature** -20 ~ 60°C (-4 ~ 140°F)
- **Vibration Protection** 2 Grms (5 ~ 500 Hz)
(Operating, random vibration)

Dimensions

Unit: mm



Panel Cut-out Dimensions: 188.4 x 141.4mm

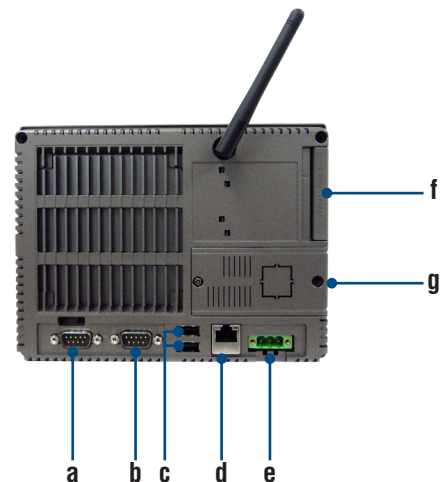
Ordering Information

- **TPC-671H-Z2AE** 6.5" VGA Touch Panel, Z510 1.1GHz, 1GB

Accessories

- **1757003463** 100-240V_{AC} to 19V_{DC} 90W Power Adapter
- **1700001524** Power Cord 3P UL 10A 125V 1.8M
- **1702002605** Power cable EU Plug 1.8M
- **1702031801** Power cable UK Plug 1.8M
- **1702031836** Power cable China/Australia Plug 1.8M
- **968EMW0028** WLAN IEEE 802.11 b/g/n Mini PCIe
- **PWR-247-AE** 50W DC 24V/2.3A Output Power Supply

Rear View



- a. COM (RS-422/485)
- b. COM (RS-232)
- c. USB 2.0
- d. LAN (10/100/1000)
- e. Power Receptor
- f. Compact Flash
- g. Mini PCI-E slot

* Windows XPe supports 10 languages with MUI. (English, Traditional Chinese, Simplified Chinese, French, German, Spanish, Russian, Italian, Japanese and Korean)