

This unit consists of a 50mm optical trackball with removable ball and adjustable tracking force, with self-draining and flush through options and with three IP67 rated push button switches. The whole is mounted on a blackened AISI 316 stainless steel carrier plate and supplied with a silicone sponge sealing the unit onto the customers' panel.

Above features make this trackball unit best suited for extreme dusty environments where cleaning and/or flush through with clear water is required for optimum functionality (f.i. aggressive dust like cement dust, etc..) or for salty water environments (f.i. naval navigation etc...). The adjustable tracking force is another advantage for "unstable" working conditions like for instance in the naval navigation.



#### Main features

- Removable ball
- Adjustable tracking force
- Self-draining & flush through
- Waterproof optical sensing
- Incl. panel seal

#### Typical applications

- Naval (salt water)
- Aggressive dusty environments
- Unstable operation conditions (transport, etc..)

TSW50F5  
dim : 100 x 116 x 40 mm  
weight : 0,6 kg

## • SPECIFICATIONS

Carrier plate : black epoxy coated stainless steel AISI 316  
Ball diameter : 50,8 mm.  
Ball material : epoxy resin  
Trackball sealing : IP68 waterproof  
Tracking force : adjustable; from free running to high force in 4 steps  
Lifetime : >= 2 million ball revolutions  
Cable : shielded, straight 1,6 m long  
Operating temperature range : 0°C to +60°C  
Storage temperature range : -25°C to +80°C

#### Push button switches

Sealing : IP67  
Travel : 1,5 mm  
Operating force : 3N typ  
Body : PBT & polyamide  
Contacts : gold plated silver  
Mechanical life : 1 million oper.

**CE** : compliant to EMC Directive 89/336/EEC for Electromagnetic Compatibility. Low Voltage Directive 73/23/EEC not applicable for our trackballs.

#### Self-draining option

The trackball is supplied with its draining hole sealed by a rubber insert. If required, this insert can easily be removed by the user and replaced by an adequate tube in order to drain any liquids from the trackball to the outside of the users' cabinet.

## • CONNECTIVITY

This combo PS/2 & USB trackball unit has a 1,6 meter long shielded straight cable ended by a PS/2 plug. An adaptor to USB type A is added. No special device driver is needed, use standard available drivers of your operating system.

\* Due to the increasing differences of the PS/2 mouse port specifications of the various PC manufacturers, we do recommend that this unit should be tested on the final PC configuration and operating system prior to installing it in series.

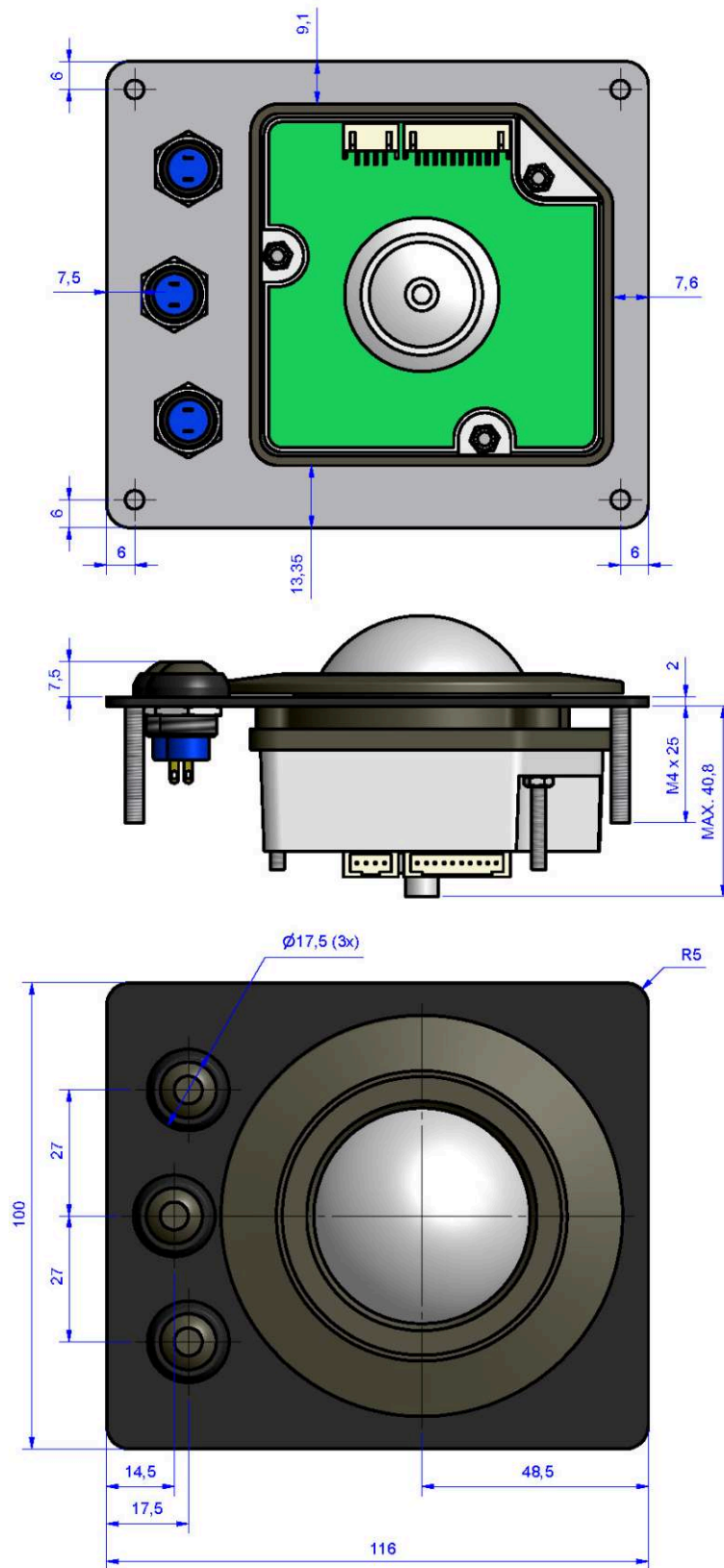
## • ORDERING INFO

Self-draining & removable ball waterproof optical trackball	<b>TSW50F5</b>
---	----------------

Output : PS/2 & USB Combo

# SELF-DRAINING & REMOVABLE BALL 50 mm TRACKBALL

## • DIMENSIONAL DRAWING



Dim in mm

The company reserves the right to alter without prior knowledge the specification or design of any standard product or service.



NSI bvba, Haakstraat 1A, B-3740 Bilzen, Belgium  
 Tel. : ++32 (0) 89 51 90 00 Website : [www.nsi-be.com](http://www.nsi-be.com)  
 Fax : ++32 (0) 89 51 90 09 E-mail : [info@nsi-be.com](mailto:info@nsi-be.com)