

Embedded Systems

VIA VIPRO VP7710

Fanless Panel PC with 10.4" TFT LCD and Touch Screen



Features

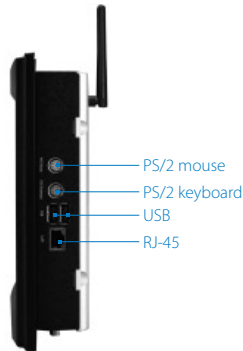
- Fanless and ultra low power consumption
- Built-in 1.6 GHz VIA Eden™ ULV or 1.0 GHz VIA C7® processor
- 10.4" TFT LCD panel with touch screen
- Integrated VIA UniChrome™ Pro II 3D/2D AGP graphics with MPEG-2 and WMV9 video decoding acceleration
- Supports Gigabit Ethernet, with optional Wireless LAN 802.11b/g
- IP65 compliant front panel protects against water and dust

Specifications

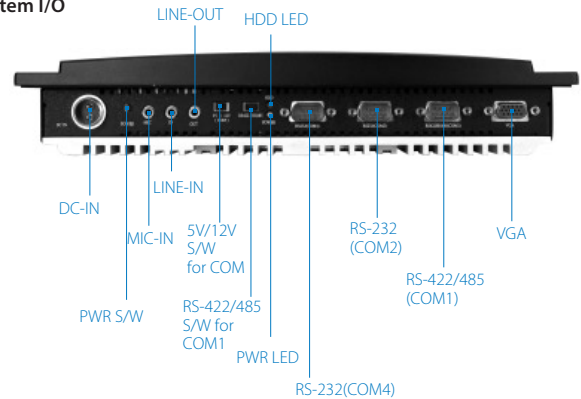
| Part Number | | VP-7710-R1E16A1 | VP-7710-R1C10A1 |
|-------------------------|--------------------------------|---|-----------------|
| Computing System | Processor | 1.6 GHz VIA Eden™ ULV | 1.0 GHz VIA C7® |
| | Front Side Bus | 800 MHz | 400 MHz |
| | L2 Cache | 128 KB | 128 KB |
| | Chipset | VIA CX700M2 Unified Digital IGP chipset | |
| | BIOS | Award 4 MBit Flash BIOS | |
| | System Power Management | Timer Power-on, ACPI supported | |
| Memory | Technology | 1 x DDR2 533 200-pin SDRAM SODIMM socket | |
| | Max. Capacity | Up to 1 GB | |
| Graphic | Controller | Integrated VIA UniChrome™ Pro II 3D/2D AGP graphics with MPEG-2 and WMV9 video decoding acceleration | |
| | Display Memory | Optimized shared memory architecture, supports up to 128 MB frame buffer using system memory | |
| LCD Display | LCD Type | 10.4" Color TFT LCD panel | |
| | Resolution/Color | Up to 800 x 600 @ 262K | |
| | Pixel Pitch | 0.264 mm x 0.264 mm | |
| | Viewing Angle | 70° (right), 70° (left), 55° (up) and 65° (down) | |
| | Luminance | 230 cd/m² | |
| | Backlight MTBF | 30,000 hours (typical) | |
| Touch Screen | Type | Analog resistive, continuous resolution | |
| | Light Transmission | 82.5% (typical) | |
| | Controller | USB interface | |
| | Durability | 1 million touches | |
| Ethernet | Controller | VIA VT6122 Gigabit Ethernet | |
| | Interface | Supports 1 x RJ45 connector Supports Wake-on LAN (WOL) Supports Preboot Execution Environment (PXE) | |
| Audio | Controller | VIA VT1708A High Definition Audio Codec | |
| | Interface | Supports Line-in, Line-out, Mic-in connectors | |
| Serial | USB | 2 x USB ports, USB 2.0 compliant | |
| | Serial Ports | 3 x COM ports (2 x RS-232 & 1 x RS-422/485) 5V/12V selectable | |
| Storage | HDD | 1 x 2.5" drive bay | |
| | Compact Flash | 1 x Type I socket | |
| System Indicator | Power Status LED | 1 x Orange color LED | |
| | HDD Activity LED | 1 x Blue color LED | |
| Watch Dog Timer | Output | System reset | |
| | Interval | Programmable 1 ~ 255 sec | |



Side System I/O



Bottom System I/O



Specifications

| Part Number | | VP-7710-R1E16A1 | VP-7710-R1C10A1 |
|-----------------------------|------------------------------------|---|---|
| System I/O | Bottom I/O Ports | 1 x VGA connector 1 x RS-422/485 serial port connector as COM1 2 x RS-232 serial port connectors as COM2 and COM4 1 x 5V/12V selectable switch for COM2 and COM4 3 x Audio jacks of Line-out, Line-in and Mic-in connectors 1 x ATX power on/off button 1 x 2-pole, DC DIN jack power input connector 1 x antenna hole for optional WLAN | |
| | Side I/O Ports | 1 x PS/2 mouse connector, 1 x PS/2 keyboard connector 2 x USB 2.0 connectors, 1 x RJ45 connector | |
| Power Supply | Power Consumption | Maximum 32 W Typical 24.6 W | Maximum 28 W Typical 22.8 W |
| | Input Voltage | 7 V _{DC} ~ 30 V _{DC} Typical: 7 V _{DC} @ 4.57 A 12 V _{DC} @ 2.66 A 16 V _{DC} @ 1.93 A 19 V _{DC} @ 1.68 A 24 V _{DC} @ 1.33 A 30 V _{DC} @ 1.1 A | 7 V _{DC} ~ 30 V _{DC} Typical: 7 V _{DC} @ 3.25 A 12 V _{DC} @ 1.9 A 16 V _{DC} @ 1.42 A 19 V _{DC} @ 1.2 A 24 V _{DC} @ 0.95 A 30 V _{DC} @ 0.76 A |
| | Input Power Protection | Supports over voltage protection Supports over current protection Supports under voltage protection | |
| | Mechanical | Construction Mounting Dimensions (W x H x D) Weight | Aluminum mixed with heavy-duty steel Panel/Wall/Table/VESA mountable 300.4 mm x 205.9 mm x 55.2 mm (11.82" x 8.1" x 2.17") 3.6 kg (7.9 lbs) |
| Environmental Specification | Operating Temperature | 0°C ~ 45°C | |
| | Storage Temperature | -20°C ~ 70 °C | |
| | Relative Humidity | 0 ~ 90% @ 45°C, non-condensing | |
| | Vibration Loading During Operation | When system equipped with Compact Flash Disk only: 5Grms, IEC 60068-2-64, random, 5 ~ 500Hz, 1 Oct./min, 1hr/axis | |
| | Shock During Operation | When system equipped with 2.5" Hard Disk Driver: 20G, IEC 60068-2-27, half sine, 11ms duration When system equipped with Compact Flash Disk: 50G, IEC 60068-2-27, half sine, 11ms duration | |
| Front Panel Protection | IP65 compliant | | |
| EMC Approved | CE, FCC Class B | | |
| Safety Approved | UL | | |
| Software Compatibility | Operation System | Microsoft Widows XP, Windows XP Embedded, Windows CE 6.0 | |

Ordering Information

| Part Number | CPU Frequency | Description |
|-----------------|-------------------|---|
| VP-7710-R1E16A1 | 1.6 GHz Eden™ ULV | 1.6 GHz Eden™ ULV based fanless 10.4" touch panel PC, with VGA, 2 x USB 2.0, 3 x COM, 1 x GigaLAN |
| VP-7710-R1C10A1 | 1.0 GHz C7® | 1.0 GHz C7® based fanless 10.4" touch panel PC, with VGA, 2 x USB 2.0, 3 x COM, 1 x GigaLAN |

Optional Accessories

External AC-to-DC Adapter and Power Cable

| Part Number | Description |
|--------------|---|
| 99G63-020135 | AC-to-DC adapter, 2-pole, DC 12V/5A, 60 W |
| 99G33-02032C | Power cable, 180 cm, USA type |
| 99G33-02034C | Power cable with PSE mark, 180 cm for Japan |
| 99G33-02033C | Power cable, 180 cm, Europe type |
| 99G33-02031C | Power cable, 180 cm, UK type |

WLAN USB Module

| Part Number | Description |
|----------------|---|
| EMIO-1530-00A1 | 802.11 b/g Wireless LAN USB module for USA |
| EMIO-1530-10A1 | 802.11 b/g Wireless LAN USB module for Europe |

Embedded OS (Only available for OEM service)

| Part Number | Description |
|------------------|--|
| POS-MXPELI-ENS00 | Windows XP Embedded SP2 Feature Pack 2007 OS image and license for VIPRO VP7710, English version |
| POS-MCE6LI-ENS00 | Windows CE 6.0 Professional OS image and license for VIPRO VP7710 English version |

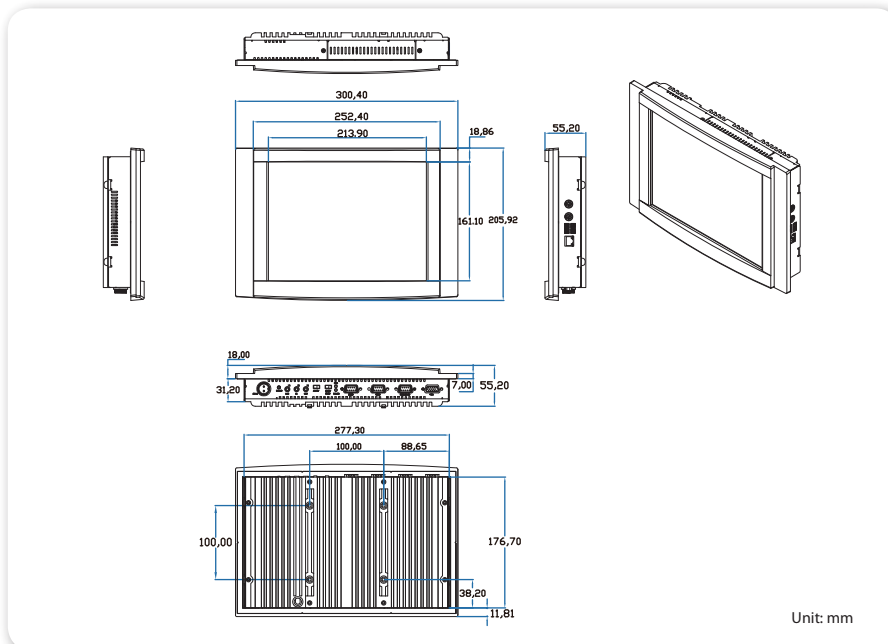
Mounting Plate

| Part Number | Description |
|--------------|-------------------------------------|
| 99G42-090164 | Wall-mount bracket for VIPRO VP7710 |
| 99G42-090154 | Desktop stand for VIPRO VP7710 |

Certificated RAM Module, Flash Disk, and 2.5" Hard Disk Drive

| Part Number | Description |
|--------------|---|
| 99G06-010328 | 512MB DDR2 667MHz, SDRAM SODIMM, Industrial Grade, 0~85°C, Innodisk |
| 99G06-010338 | 1GB DDR2 667MHz, SDRAM SODIMM, Industrial Grade 0~85°C |
| 99G61-050093 | 512MB Embedded Flash Disk DOM, Industrial Grade, -40°C ~ 85°C |
| 99G61-060011 | 1GB Compact Flash Disk, Industrial Grade, -40°C ~ 85°C |
| 99G61-060021 | 2GB Compact Flash Disk, Industrial Grade, -40°C ~ 85°C |
| 99G61-060031 | 4GB Compact Flash Disk, Innodisk, Industrial Grade, -40°C ~ 85°C |
| 99G61-020114 | 250GB, Fujitsu 2.5" SATA HDD, 5400RPM |

Dimensions



Packing List

- 1 x VIPRO VP7710 unit
- 1 x Driver Utility CD
- 1 x Power cable, DIN-jack to DC-plug
- 1 x IDE cable
- 1 x SATA data cable
- 1 x Panel mounting plate