



Main Features

- ♦ 8" SVGA TFT LCD Monitor
- ♦ Automatic/ Manual brightness control
- ♦ Wide range DC input from 9~36V
- ♦ On screen control buttons
- ♦ Support USB 2.0 and card reader
- ♦ Camera sensor on front panel (Optional)
- ♦ Sunlight readable solution with 800cd/m² high brightness LCD support
- ♦ Front panel compliant with IP54

Product Overview

VMD 2002 is an 8-inch TFT LCD monitor with 4 wire resistant touch screen sensor. With the high brightness display and automatically brightness control, it is designed for in-vehicle applications. In support of standard VGA interface, it can be configured to link to the most of vehicle computers. It also provides USB and card reader features, and reserves camera sensor as an option. Those friendly interfaces benefit the technicians during maintenances. Its front panel is compliant to IP54, and wide range power input and operating temperature to meet with industrial applications.

Specifications

General

- ♦ Enclosure: Plastic PC + ABS
- ♦ Mounting: Support VESA 75, panel and wall mounting
- ♦ Power Input: 9~36VDC
- ♦ Power Consumption: 15W
- ♦ Ingress Protection: Front panel IP54
- ♦ Dimension: 207mm (W) x 173mm (H) x 36.7mm (D)
(8.15" x 6.81" x 1.44")
- ♦ Weight (Net): 0.7Kg, 1.54Lb

LCD Panel

- ♦ 8-inch TFT LCD panel with LED backlight
- ♦ 800 x 600 pixels (SVGA)
- ♦ Brightness: 400 cd/m² (typical)
- ♦ Optional high brightness for sunlight-readable with 800cd/m²
After touch screen is 640cd/m²
- ♦ Contrast ratio: 500:1 (typical)

Touch Screen Sensor

- ♦ 4-wire resistant touch
- ♦ Anti-glare coating surface
- ♦ Transmission rate: 82 ± 3%

I/O Interface-Front

- ♦ On screen display buttons x 5
Power on/off
Brightness control (+/-)
Volume control (+/-)
- ♦ Light sensor
- ♦ 2 x LED indicators
- ♦ 2 x Built-in speakers (1.2W)

I/O Interface-Lateral

- ♦ 1 x SD/ MMC/ MS card reader
- ♦ 1 x USB type A Host
- ♦ 1 x Line-out (automatic detection/ switch to external speaker)
- ♦ 1 x Mic-in

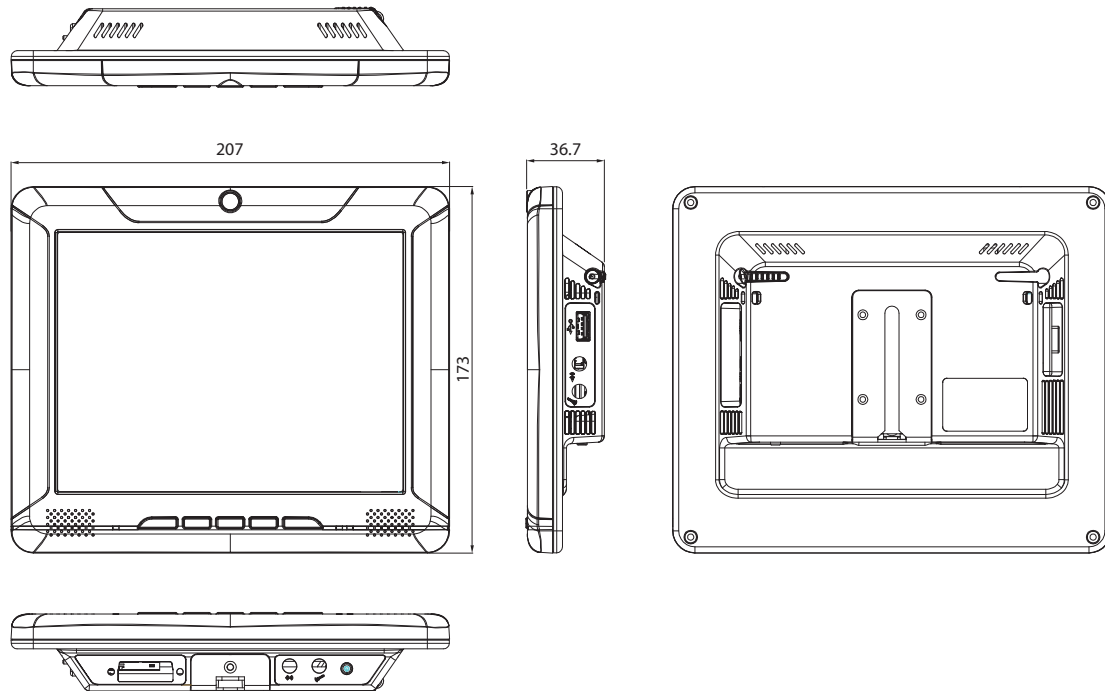
I/O Interface-Bottom

- ♦ 1 x Mic-out
- ♦ 1 x Line-in
- ♦ 1 x DVI-D Connector (integrating VGA, USB x 1 and 12Vdc x 1)

Optional Features

- ♦ 2.0M pixels CCD camera on front panel
- ♦ Sunlight-Readable Display with High Brightness LCD (800 cd/m²)
- ♦ Support Panel and wall mount kit

Dimension Drawing



Environment

- Operating temperature: -20°C to 60°C
- Storage temperature: -30°C to 70°C
- Vibration (random): 2.5g@5~500 Hz
- Vibration
 - Operating: MIL-STD-810F, Method 514.5, Category 20, Ground Vehicle – Highway Truck
 - Storage: MIL-STD-810F, Method 514.5, Category 24, Integrity Test
- Shock
 - Operating: MIL-STD-810F, Method 516.5, Procedure I, Trucks and semi-trailers= 20g
 - Crash hazard: MIL-STD-810F, Method 516.5, Procedure V, Ground equipment= 75g

Standards/ Certifications

- CE approval
- FCC Class B

Ordering Information

- **VMD 2002-B (P/N: 10VD0200202X0)**
8" SVGA vehicle mount display with touch screen and USB, VGA and Power cable integrated
- **VMD 2002-BS (P/N: 10VD0200203X0)**
8" SVGA vehicle mount display with touch screen, USB, VGA, Power cable integrated and sunlight readable
- **VMD 2002-P (P/N: TBD)**
8" SVGA vehicle mount display with touch screen, USB, VGA, Power cable integrated and CCD camera
- **VMD 2002-PS (P/N: TBD)**
8" SVGA vehicle mount display with touch screen, USB, VGA, Power cable integrated, CCD camera and sunlight readable
- **Bundle Accessories**
 - VGA, USB and Power integrated cable (1.5M)
 - Audio cable
 - Cable fastener
 - Driver CD