

## IEC 60945 MARINE TRACKBALLS

Laser technology - 9 versions

### TSX50 series

This TSX serie is approved for use with Solas Marine applications (f.i ECDIS). The trackballs are waterproof and vandalproof and uses the latest generation of laser trackballs. These trackballs are highly suited for marine environments thanks to their robustness and ease of maintenance. They feature a removable top ring facilitating the cleaning of ball and ball compartment.

The use of stainless steel for the various parts ensures the best resistance in salty or greasy environments. Due to its outstanding sealing, its professional style and its industrial robustness, this trackball unit is the best suited pointing device for all harsh or hostile environments, indoor and outdoor.

All panel mount types are supplied with a silicone sponge seal ring for adequate sealing into the customers' panel or console. A cover plate on the rear side protects the components.

#### Available in 9 different versions :

##### PANEL MOUNT VERSION

- Front panel mounting with studs OR
- Front panel mounting with holes (for countersunk M4 screws, not included)

Choice of switches and carrier plate  
IP65 pushbutton switches OR  
IP68 short travel switches

Choice of carrier plate  
blank stainless steel carrier OR  
matt blackened stainless steel carrier

##### ENCLOSED VERSION

- Enclosed version : complete blank stainless steel and IP68 short travel switches



### SPECIFICATIONS

Certificate of Conformity	: Fully compliant with IEC60945
Sealing	: IP65 / IP68
Carrier plate	: Stainless steel
Ball diameter	: 50,8 mm(2'')
Ball material	: Polyester
Tracking force	: Nom. 50 grams
Lifetime	: >= 2 million ball revolutions
Cable	: Shielded, straight 1,6 m long
Compass safe distance	:
Operating t° range	: -10°C to +60°C
Storage t° range	: -25°C to +80°C
Dimensions / weight	: Panel mount: 100 x 116 x 50 mm / 0,6 kg Enclosed: 200 x 120 x 63 mm / 1,3 kg

<u>Buttons</u>	<u>pushbutton</u>	<u>short travel</u>
Sealing	IP65	IP68
Travel	1,3mm	0,5mm
Operating force	4N	4N
Material	stainless steel	
Mechanical life	1 million	3 million

CE : compliant to EMC Directive 89/336/EEC for Electromagnetic Compatibility. Low Voltage Directive 73/23/EEC not applicable for our trackballs.

IEC 60945 MARINE TRACKBALLS  
Laser technology - 9 versions

CONNECTIVITY

These combo USB & PS/2 trackball units have a 1,6 meter long shielded straight cable ended by a USB type A plug. An adaptor to PS/2 is added. No special device driver is needed, use standard available drivers of your operating system.

\* Due to the increasing differences of the PS/2 mouse port specifications of the various PC manufacturers, we do recommend that this unit should be tested on the final PC configuration and operating system prior to installing it in series.

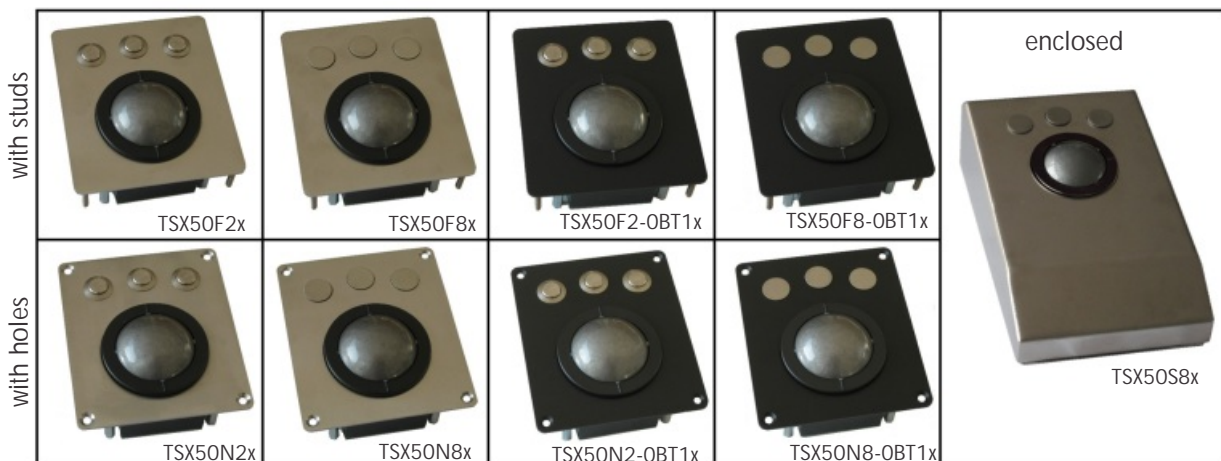
ORDER INFO

Front panel mount with studs	IP65 pushbutton switches	IP68 short travel switches
Blank carrier	TSX50F2-0001-MC3	TSX50F8-0001-MC3
Matt blackened carrier	TSX50F2-OBT1-MC3	TSX50F8-OBT1-MC3

Front panel mount with holes	IP65 pushbutton switches	IP68 short travel switches
Blank carrier	TSX50N2-0001-MC3	TSX50N8-0001-MC3
Matt blackened carrier	TSX50N2-OBT1-MC3	TSX50N8-OBT1-MC3

Enclosed	IP65 pushbutton switches	IP68 short travel switches
Blank carrier	/	TSX50S8-0001-MC3

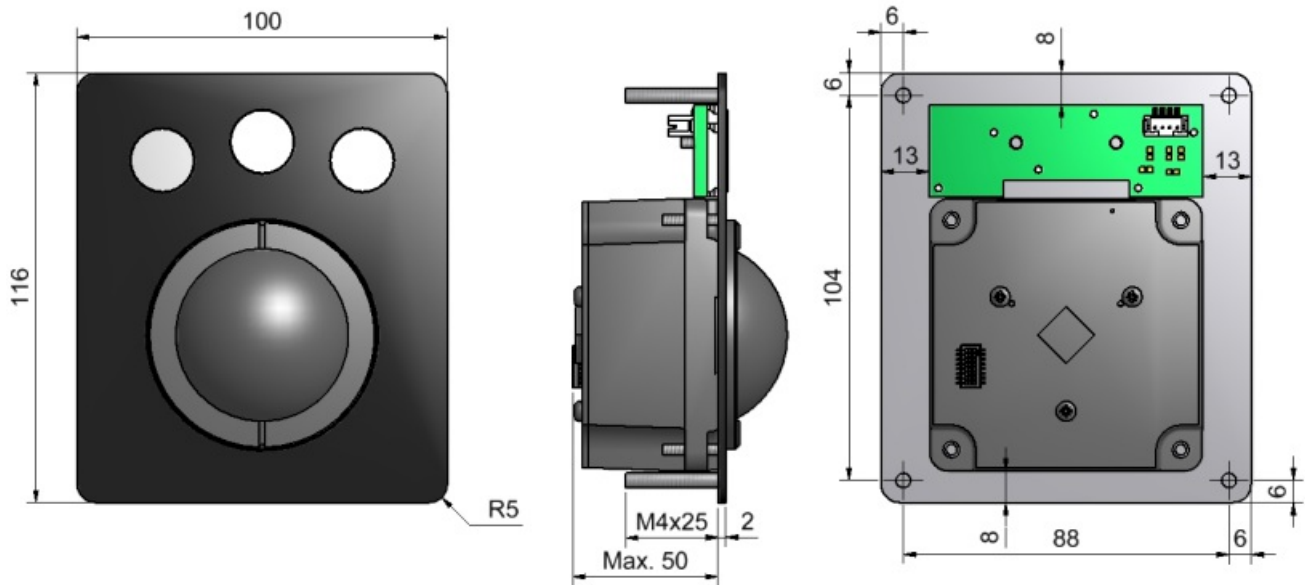
Output : USB & PS/2 Combo



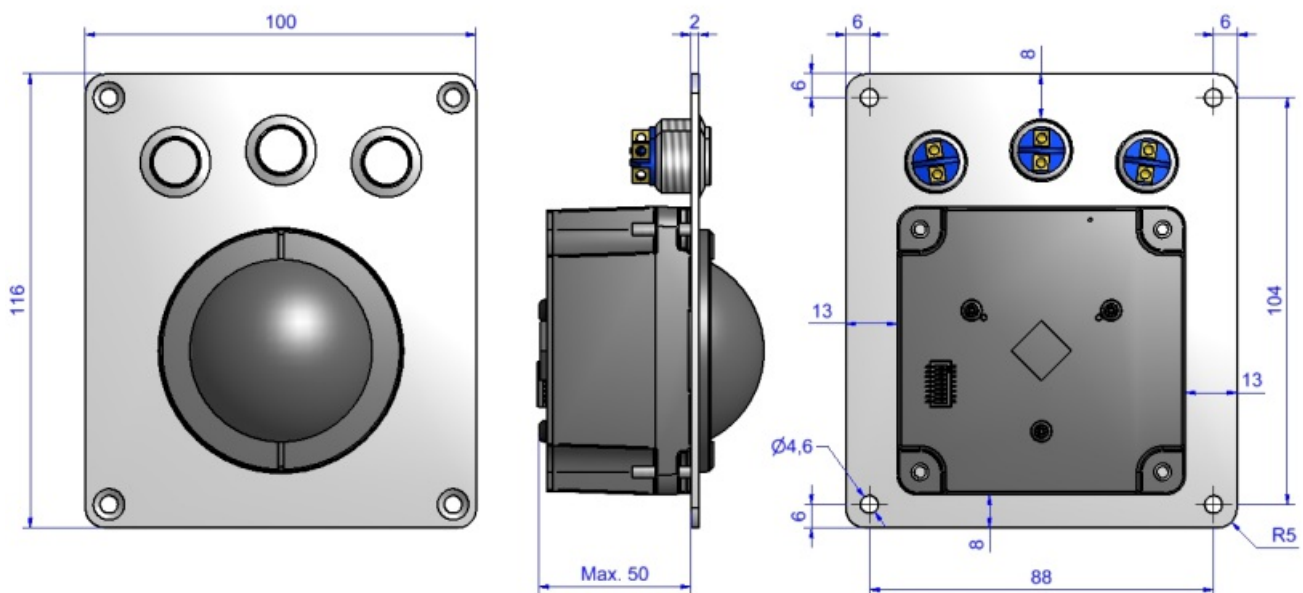
### IEC 60945 MARINE TRACKBALLS Laser technology - 9 versions

#### DIMENSIONAL DRAWING

##### Front panel mount with studs



##### Front panel mount with holes



Dim in mm.

The company reserves the right to alter without prior knowledge the specification or design of any standard product or service.